



Intensity^{one}

POST-EMERGENCE GRASS HERBICIDE



ACTIVE INGREDIENT:

*Clethodim 12.6%

OTHER INGREDIENTS: 87.4%

TOTAL 100.0%

Contains Petroleum Distillates

*(E)-2[1-[[3-chloro-2-propenyl)oxy]imino]propyl]-5-[2-(ethylthio)propyl]-3-hydroxy-2-cyclohexen-1-one

Contains 0.97 pound clethodim per gallon

KEEP OUT OF REACH OF CHILDREN CAUTION

See inside booklet for additional precautionary statements.

FIRST AID	
If in eyes:	<ul style="list-style-type: none"> • Hold eye open and rinse slowly and gently with water for 15 to 20 minutes. • Remove contact lenses, if present, after the first 5 minutes, then continue rinsing eye. • Call a poison control center or doctor for treatment advice.
If on skin or clothing:	<ul style="list-style-type: none"> • Take off contaminated clothing. • Rinse skin immediately with plenty of water for 15 to 20 minutes. • Call a poison control center or doctor for treatment advice.
If swallowed:	<ul style="list-style-type: none"> • Immediately call a poison control center or doctor. • Do not induce vomiting unless told to do so by the poison control center or doctor. • Do not give any liquid to the person. • Do not give anything by mouth to an unconscious person.
If inhaled:	<ul style="list-style-type: none"> • Move person to fresh air. • If person is not breathing, call 911 or an ambulance, then give artificial respiration, preferably mouth-to-mouth, if possible. • Call a poison control center or doctor for further treatment advice.
<p>Have the product container or label with you when calling a poison control center or doctor, or going for treatment. FOR A MEDICAL EMERGENCY INVOLVING THIS PRODUCT CALL: 1-866-944-8565. NOTE TO PHYSICIANS: Ingestion of this product or subsequent vomiting can result in aspiration of light hydrocarbon liquid, which can cause pneumonitis. If ingested, probable mucosal damage may contraindicate the use of gastric lavage.</p>	

EPA REG. NO. 34704-976

EPA EST. NO. 34704-MS-001

NET CONTENTS 2.5 GAL (9.46 L)

022615 V1D 09R16

INTENSITY ONE POST-EMERGENCE GRASS HERBICIDE®
EPA REG. NO. 34704-976

PRECAUTIONARY STATEMENTS
HAZARDS TO HUMANS AND DOMESTIC ANIMALS

Causes moderate eye irritation. Avoid contact with eyes, skin or clothing. Prolonged or frequently repeated skin contact may cause allergic reactions in some individuals. Harmful if swallowed.

PERSONAL PROTECTIVE EQUIPMENT (PPE):

Some materials that are chemical-resistant to this product are listed below. If you want more options, follow the instructions for Category G on an EPA chemical resistance category selection chart.

Applicators and other handlers must wear:

- Long-sleeved shirt and long pants,
- Chemical-resistant gloves such as barrier laminate or viton \geq 14 mils,
- Shoes plus socks,
- Protective eyewear, goggles, face shield or safety glasses.

Discard clothing and other absorbent materials that have been drenched or heavily contaminated with this product's concentrate. Do not reuse them. Follow manufacturer's instructions for cleaning/maintaining PPE. If there are no such instructions for washables, use detergent and hot water. Keep and wash PPE separately from other laundry.

USER SAFETY RECOMMENDATIONS

Users should:

- Wash hands before eating, drinking, chewing gum, using tobacco or using the toilet.
- Remove clothing immediately if pesticide gets inside. Then wash thoroughly and put on clean clothing.
- Remove PPE immediately after handling this product. Wash the outside of gloves before removing. As soon as possible, wash thoroughly and change into clean clothing.

ENVIRONMENTAL HAZARDS

Do not apply directly to water, to areas where surface water is present or to intertidal areas below the mean high water mark. Do not apply where runoff is likely to occur. Do not apply where weather conditions favor drift from areas treated. Do not contaminate water when disposing of equipment washwater or rinsate.

The use of this product may pose a hazard to the federally designated endangered species of Solano grass and wild rice. Use of this product is prohibited in the following areas where the species are known to exist:

Solano Grass: Solano County, California: the vernal lakes area bounded by the Union Pacific Railroad and Hastings Road to the north, Highway 113 to the east, Highway 12 to the south, and Travis Air Force Base to the west.

Wild Rice: Hays County, Texas.

PHYSICAL OR CHEMICAL HAZARDS

Do not use or store near heat or open flame.

DIRECTIONS FOR USE

It is a violation of Federal law to use this product in a manner inconsistent with its labeling.

READ ENTIRE LABEL AND PAMPHLET. USE STRICTLY IN ACCORDANCE WITH PRECAUTIONARY STATEMENTS AND DIRECTIONS, AND WITH APPLICABLE STATE AND FEDERAL REGULATIONS.

Do not apply this product in a way that will contact workers or other persons, either directly or through drift. Only protected handlers may be in the area during application.

For any requirements specific to your State or Tribe, consult the agency responsible for pesticide regulation.

INTENSITY ONE POST-EMERGENCE GRASS HERBICIDE®
EPA REG. NO. 34704-976

AGRICULTURAL USE REQUIREMENTS

Use this product only in accordance with its labeling and with the Worker Protection Standard, 40 CFR part 170. This Standard contains requirements for the protection of agricultural workers on farms, forests, nurseries and greenhouses, and handlers of agricultural pesticides. It contains requirements for training, decontamination, notification, and emergency assistance. It also contains specific instructions and exceptions pertaining to the statements on this label about personal protective equipment (PPE) and restricted-entry interval. The requirements in this box only apply to uses of this product that are covered by the Worker Protection Standard.

Do not enter or allow worker entry into treated areas during the restricted entry interval (REI) of 24 hours.

PPE required for early entry to treated areas that is permitted under the Worker Protection Standard and that involves contact with anything that has been treated, such as plants, soil or water, is:

- Coveralls over short-sleeved shirt and short pants,
- Chemical-resistant gloves such as barrier laminate or viton \geq 14 mils,
- Chemical-resistant footwear plus socks,
- Protective eyewear, goggles, face shield or safety glasses,
- Chemical-resistant headgear for overhead exposure.

NON-AGRICULTURAL USE REQUIREMENTS

The requirements in this box apply to uses of this product that are NOT within the scope of the Worker Protection Standard for agricultural pesticides (40 CFR Part 170). The WPS applies when this product is used to produce agricultural plants on farms, forests, nurseries, or greenhouses.

Keep all unprotected persons out of operating areas, or vicinity where there may be drift. Do not enter treated areas without protective clothing until sprays have dried.

TANK MIXES

NOTICE: Tank mixing or use of this product with any other product which is not specifically and expressly authorized by the label shall be the exclusive risk of user, applicator and/or applicator advisor.

Read and follow the entire label of each product to be used in the tank mix with this product.

[THE FOLLOWING STATEMENT ON CHEMIGATION WILL BE USED ONLY IF SUPPLEMENTAL LABEL IS CREATED.]

CHEMIGATION

[Do not apply this product through any irrigation system unless the supplemental labeling on chemigation is followed. Refer to supplemental labeling entitled, "Application of Intensity One Post-Emergence Grass Herbicide Onions (dry bulbs and green) and Garlic by Chemigation", for use directions for chemigation.]

May be applied to onions and garlic by sprinkler irrigation systems. Do not apply by chemigation to any other crop, or to this crop using any other type of irrigation system.

CROP INFORMATION

FOR USE ON: Alfalfa; Artichoke (globe); Asparagus; Bean (dry) and Pea (shelled)¹; Bean and Pea (succulent shelled)²; Broccoli; Bushberry³; Cabbage; Canola*; Caneberry⁴; Carrot; Cauliflower (and other Head and Stem Brassica Vegetables)⁵; Celery; Clover (grown in Idaho, Oregon and Washington only); Conifers; Cotton; Cranberry; Cucumber; Eggplant (and other Fruiting Vegetables)⁶; Fallow Land (and other non-producing agricultural areas); Field corn⁷; Flax*; Garden beet; Garlic; Herbs⁸; Hops; Horseradish (and other Root Vegetables)⁹; Legume Vegetables (edible podded)¹⁰; Lettuce, Head and Leaf (and other Leafy Greens)¹¹; Melons (including Cantaloupe and Watermelon)¹²; Mint; Mustard greens (and other Leafy Brassica Greens)¹³ Mustard seed*; Non-Bearing Food Crops; Non-Crop or Non-Planted Areas; Onions (dry bulb and green); Ornamentals; Peanut (including perennial); Peppers (bell and non-bell); Potato; Radish; Rhubarb (and other Leaf Petioles)¹⁴; Safflower; Sesame; Shallot (dry bulb); Squash (including Pumpkin)¹²; Soybean; Strawberry; Sugar beet; Sunflower; Sweet potato; Turnip greens; Tomato and Yam (and other Tuberous and Corm Vegetables)¹⁵.

***Not for use in California**

¹ Other Bean (dry) and Pea (shelled) crops approved for use with Intensity One Post-Emergence Grass Herbicide include: Bean (*Lupinus* spp.), Grain lupin, Sweet lupin, White lupin and White sweet lupin; Bean (*Phaseolus* spp.), Field, Kidney, Lima (dry), Navy, Pinto and Tepary; Bean (*Vigna* spp.), Adzuki bean, Black-eyed pea, Catjang, Cowpea, Crowder pea, Moth bean, Mung bean, Rice bean, Southern pea, Urd bean, Broad (dry), Chickpea (Garbanzo), Guar, Lablab bean and Lentil; Pea (*Pisum* spp.), Field and Pigeon.

² Other Bean and Pea (succulent shelled) crops approved for use with Intensity One Post-Emergence Grass Herbicide include: Bean (*Phaseolus* spp.), Broad bean (succulent), Lima bean (Green); Bean (*Vigna* spp.), Black-eyed pea, Cowpea, Southern pea; Pea (*Pisum* spp.), English pea, Garden pea, Green pea and Pigeon pea.

³ Other Bushberry crops approved for use with Intensity One Post-Emergence Grass Herbicide include: Aronia berry, Blueberry (highbush), Black currant, Buffalo currant, Chilean guava, Cranberry (highbush), Elderberry, European barberry, Gooseberry,

INTENSITY ONE POST-EMERGENCE GRASS HERBICIDE®
EPA REG. NO. 34704-976

- Honeysuckle (edible), Huckleberry (edible), Jostaberry, Juneberry (Saskatoon berry), Native currant, Salal, Sea buckthorn, Red currant; cultivars, varieties and/or hybrids of these.
- 4 Other Caneberry crops approved for use with Intensity One Post-Emergence Grass Herbicide include: Blackberry, Loganberry, Raspberry (Black and Red), Wild raspberry, cultivars, varieties and/or hybrids of these.
 - 5 Other Head and Stem brassica vegetables approved for use with Intensity One Post-Emergence Grass Herbicide include: Chinese broccoli, Brussels sprouts, Chinese (napa) cabbage, Chinese mustard, Cavalo broccolo and Kohlrabi.
 - 6 Other Fruiting Vegetables (except tomato) approved for use with Intensity One Post-Emergence Grass include: Eggplant, Groundcherry, Pepino, Peppers (all) and Tomatillo.
 - 7 For burndown of existing stand of Roundup Ready® field corn or volunteer Roundup Ready field corn prior to replanting Field corn.
 - 8 Other Herb crops approved for use with Intensity One Post-Emergence Grass Herbicide include: Angelica, Balm, Basil, Borage, Burnet, Chamomile, Catnip, Chervil (dried), Chive, Chinese chive, Clary, Coriander (leaf), Costmary, Culantro (leaf), Curry (leaf), Dill (dillweed), Horehound, Hyssop, Lavender, Lovage (leaf), Marigold, Marjoram (*Origanum* spp.), Nasturtium, Parsley (dried), Pennyroyal, Rosemary, Rue, Sage and Savory, Summer and Winter.
 - 9 Other Root Vegetables approved for use with Intensity One Post-Emergence Grass Herbicide include: Burdock, Edible; Celeriac; Chervil, Turnip-rooted; Chicory; Ginseng; Parsley, Turnip-rooted; Parsnip; Radish, Oriental; Rutabaga; Salsify; Salsify, Black; Salsify, Spanish; Skirret and Turnip.
 - 10 Other Edible Podded Legume Vegetable crops approved for use with Intensity One Post-Emergence Grass Herbicide include: Bean (*Phaseolus* spp.), Runner, Snap and Wax; Bean (*Vigna* spp.), Asparagus, Chinese longbean, Moth, Yardlong, Jackbean; Pea (*Pisum* spp.), Dwarf, Edible-podded, Snow, Sugar snap, Pigeon and Sword bean.
 - 11 Other Leafy Greens crops approved for use with Intensity One Post-Emergence Grass Herbicide include: Amaranth (Chinese spinach, Leafy amaranth and Tampala), Arugula (Roquette), Chervil, Chrysanthemum (Edible-leaved and Garland), Corn salad, Cress (Garden, Yellow rock and Winter), Dandelion, dock (Sorrel), Endive (Escarole), Lettuce (Head and Leaf), Orach, Parsley, Purslane (Garden and Winter), Radicchio (Red chicory), Spinach, Spinach (New Zealand and Vine (Indian and Malabar)).
 - 12 Other Cucurbit Crops approved for use with Intensity One Post-Emergence Grass Herbicide include: Chayote (Fruit), Chinese wax gourd, Citron melon, Edible gourd, Gherkin and Muskmelons (all) including Honeydew melon.
 - 13 Other Leafy Brassica Greens approved for use with Intensity One Post-Emergence Grass Herbicide include: Broccoli raab, Chinese (Bok choy) cabbage, Collards, Kale, Mizuna, Mustard greens, Mustard spinach, Rape greens.
 - 14 Other Leaf Petiole Crops approved for use with Intensity One Post-Emergence Grass Herbicide include: Cardoon, Celtuce, Chinese celery, Florence fennel, and Swiss chard.
 - 15 Other Tuberous and Corm Vegetables approved for use with Intensity One Post-Emergence Grass Herbicide include: Arracacha, Arrowroot, Chinese artichoke, Jerusalem artichoke, Edible canna, Bitter and Sweet cassava, Chayote (root), Chufa, Dasheen (Taro), Ginger, Leren, Tanier, Turmeric; Yam, Bean and Yam, True.

Intensity One Post-Emergence Grass Herbicide is a postemergence herbicide for control of annual and perennial grasses. Intensity One Post-Emergence Grass Herbicide does not control sedges or broadleaf weeds.

Control Symptoms

Treated grass weeds show a reduction in vigor and growth. Early chlorosis/necrosis of younger plant tissue is followed by a progressive collapse of the remaining foliage. Symptoms will generally be observed in 7 to 14 days after application, depending on grass species treated and environmental conditions.

APPLICATION INFORMATION

Timing of Applications

Apply Intensity One Post-Emergence Grass Herbicide postemergence to actively growing grasses according to rate table recommendations. Applications made to grass plants stressed by insufficient moisture, hot or cold temperatures, or to grass plants exceeding recommended growth stages may result in unsatisfactory control. Do not apply under these conditions.

In arid regions where irrigation is used to supplement limited rainfall, Intensity One Post-Emergence Grass Herbicide should be applied as soon as possible, after an irrigation (within 7 days). In arid regions, a second application of Intensity One Post-Emergence Grass Herbicide will generally provide more effective control of perennial grass weeds than a single application. Make a second application to actively growing grass 2 to 3 weeks after emergence of new growth.

Cultivation of treated grasses 7 days prior to or within 7 days after application of Intensity One Post-Emergence Grass Herbicide may reduce weed control.

Ground Application

Use of sufficient spray volumes and pressure is essential to ensure complete coverage. Use a minimum of 5.0 gallons and a maximum of 40.0 gallons of spray solution per acre. Under the following conditions a minimum of 10.0 GPA is required: ultra narrow row cotton, narrow row soybeans, broadleaf herbicide tank mixes, perennial grasses, volunteer corn, drought or stress conditions, heavy grass pressure or when grasses are at or near maximum height. Failure to use a minimum of 10.0 GPA under these conditions can result in poor coverage and reduced grass control requiring repeat applications. Spray pressures should reflect a minimum of 30 psi and a maximum of 60 psi at the nozzle. Do not use flood nozzles.

INTENSITY ONE POST-EMERGENCE GRASS HERBICIDE®
EPA REG. NO. 34704-976

Applications to onions (dry bulb and green), garlic or shallots (dry bulbs and green) should be made in a minimum of 20.0 gallons of spray solution per acre.

Air Application

Use a minimum of 3.0 gallons of spray solution per acre unless otherwise directed in this label. Increase spray volumes up to 10.0 gallons as grass or crop foliage becomes dense. For onions (dry bulbs and green), garlic or shallots (dry bulbs and green): When applying by air do not exceed 17.0 fluid ounces per acre in a single application. In California, air applications to onions, garlic, or shallots should be made in a minimum of 20.0 gallons of spray solution per acre. In states other than California, air application to onions, garlic or shallots should be made in a minimum of 10.0 gallons of spray solution.

NOTE: Crop injury may occur when Intensity One Post-Emergence Grass Herbicide is applied to onions, garlic or shallots with aerial equipment.

Spot Treatment

When using hand sprayers or high volume sprayers utilizing hand guns, mix 1/3 to 2/3% (0.44 to 0.85 fluid ounce per gallon) Intensity One Post-Emergence Grass Herbicide and treat to wet vegetation, while not allowing runoff of spray solution. For uses requiring crop oil concentrate, include crop oil concentrate at 1% (1.3 fluid ounces per gallon) by volume. For uses requiring non-ionic surfactant, include non-ionic surfactant at 0.25% (0.33 fluid ounce per gallon) by volume.

NOTE: If Intensity One Post-Emergence Grass Herbicide is applied as a spot treatment care should be taken to not exceed the maximum rate allowed on a "per acre" basis or crop injury may occur.

**CHEMIGATION - ONION (Dry Bulbs and Green) AND GARLIC
SPRINKLER IRRIGATION APPLICATION**

***Do not apply Intensity One Post-Emergence Grass Herbicide by chemigation in the states of Idaho, Montana, Oregon and Washington.**

Apply Intensity One Post-Emergence Grass Herbicide at the high rate recommendation for annual grasses (32.0 fluid ounces per acre) when the grass height is at the high end of the range (application to larger grasses may not provide adequate control). Add a crop oil concentrate containing at least 15% emulsifier at 1.0 quart per acre of non-ionic surfactant with at least 80% active ingredient at 0.25% v/v of total spray solution.

Apply Intensity One Post-Emergence Grass Herbicide in 0.1 to 0.2 acre inch of water either at the end of a regular irrigation set or as a separate application not associated with a regular irrigation using the least amount of water that provides proper distribution and coverage. Application of more than label recommended quantities of irrigation water per acre may result in decreased product performance by removing the chemical from the zone of effectiveness. Use a metering device to inject the Intensity One Post-Emergence Grass Herbicide into the irrigation water at a constant flow. Constant agitation must be maintained in the chemical supply tank during the entire period of herbicide application. Inject the product with a positive displacement pump into the main line ahead of a right angle turn to ensure adequate mixing. Allow time for all lines to flush the herbicide through all nozzles before turning off irrigation water. To ensure the lines are flushed and free of remaining herbicide, a dye indicator may be injected into the lines to mark the end of the application period.

It is not recommended that Intensity One Post-Emergence Grass Herbicide be applied through an irrigation system connected to a public water system. Public water system means a system for the provision to the public piped water for human consumption if such system has at least 15 service connections or regularly serves an average of at least 25 individuals daily at least 60 days out of the year.

Use Precautions

1. Apply this product only through irrigation systems including center pivot, lateral move, end tow, side (wheel) roll, travelers, big gun, solid set, or hand move. Do not apply this product through any other type of irrigation system.
2. Crop injury, lack of effectiveness, or illegal pesticide residues in the crop may result from non-uniform distribution of treated water.
3. If you have any questions about calibration, you should contact your State Extension Service Specialists, equipment manufacturers or other experts.
4. Do not connect an irrigation system (including greenhouse systems) used for pesticide application to a public water system unless the label-prescribed safety devices for public water supplies are in place.
5. A person knowledgeable of chemigation system and responsible for its operation or under supervision of the responsible person, shall shut the system down and make necessary adjustments should the need arise.
6. The system must contain a functional check valve, vacuum relief valve, and low pressure drain appropriately located on the irrigation pipeline to prevent water source contamination from backflow.
7. The pesticide injection pipeline must contain a functional, automatic, quick-closing check valve to prevent the flow of fluid back toward the injection pump.
8. The pesticide injection pipeline must also contain a functional, normally closed solenoid-operated valve located on the intake side of the injection pump and connected to the system interlock to prevent fluid from being withdrawn from the supply tank when the irrigation system is either automatically or manually shut down.
9. The system must contain functional interlocking controls to automatically shut off the pesticide injection pump when the water pump motor stops.
10. The irrigation line or water pump must include a functional pressure switch which will stop the water pump motor when the water

INTENSITY ONE POST-EMERGENCE GRASS HERBICIDE®
EPA REG. NO. 34704-976

pressure decreases to the point where pesticide distribution is adversely affected.

11. Systems must use a metering pump, such as a positive displacement injection pump (e.g. diaphragm pump) effectively designed and constructed of materials that are compatible with pesticides and capable of being fitted with a system interlock.
12. Do not apply when wind speed favors drift beyond the area intended for treatment.

RESTRICTIONS AND LIMITATIONS

- Do not apply if rain is expected within 1 hour of application, as control may be unsatisfactory.
- Do not plant rotational crops until 30 days after application of Intensity One Post-Emergence Grass Herbicide unless crop is listed on Intensity One Post-Emergence Grass Herbicide label.
- Do not apply a postemergence broadleaf herbicide within 1 day following application of Intensity One Post-Emergence Grass Herbicide or reduced grass control may result.
- Intensity One Post-Emergence Grass Herbicide is not recommended for use on vegetable crops being grown for seed production unless specific use directions are provided.
- Do not apply under conditions of stress. Applying Intensity One Post-Emergence Grass Herbicide under conditions that do not promote active grass growth will reduce herbicide effectiveness. These conditions include drought, excessive water, extremes in temperature, low humidity and grasses either partially controlled or stunted from prior pesticide applications. Grasses under these kinds of stressful conditions will not absorb and translocate Intensity One Post-Emergence Grass Herbicide effectively, and will be less susceptible to herbicide activity.

APPLICATION ON LONG ISLAND, NEW YORK IS RESTRICTED TO NO MORE THAN 32.0 FLUID OUNCES OF INTENSITY ONE POST-EMERGENCE GRASS HERBICIDE (0.25 POUND ACTIVE INGREDIENT) PER ACRE, PER SEASON.

Optimal perennial grass control can be obtained if rhizomes or stolons are cut up by preplant tillage practices (discing, plowing, etc.) to stimulate maximum emergence of grass shoots. Cultural practices, such as continuous no-tillage in which the perennial grass rhizomes or stolons are not cut up, results in a very staggered, non-uniform weed emergence. Due to this non-uniform weed emergence, no fewer than 2 Intensity One Post-Emergence Grass Herbicide applications per season per year are recommended at the appropriate weed growth stage rate under continuous no-till conditions.

Grass crops such as corn, rice, sorghum, small grains or turf, etc. are highly sensitive to Intensity One Post-Emergence Grass Herbicide.

While all the vegetable crops on this label have been tested and are tolerant to Intensity One Post-Emergence Grass Herbicide, not all specialty varieties of these crops have been tested. It is advised that before applying Intensity One Post-Emergence Grass Herbicide to specialty varieties of vegetable crops on this label, crop tolerance be investigated first using a small section of the field. It is possible that injury symptoms can occur. Symptoms may appear as leaf speckling or stunting.

Always read and follow the restriction and limitations for all products whether used alone or in a tank mix. The most restrictive labeling of any product used applies in tank mixtures, including all crop rotational and other crop restrictions.

Tank mixes of Intensity One Post-Emergence Grass Herbicide and broadleaf herbicides may result in reduced grass control. If grass regrowth occurs, an additional application of Intensity One Post-Emergence Grass Herbicide may be necessary.

SPRAY DRIFT MANAGEMENT

- Do not allow spray from ground or aerial equipment to drift onto adjacent land or crops. When drift may be a problem, do everything possible to reduce spray drift, including:
- Do not apply when conditions are favorable for drift (high temperatures, drought and low relative humidity), especially when sensitive plants are located nearby.
- Do not spray if wind speed is 10 mph or greater. If sensitive crops or plants are downwind, extreme caution must be used under all conditions.
- Do not spray if winds are gusty.
- Do not apply when a temperature inversion exists. If inversion conditions are suspected, consult with local weather services before making an application.
- Do not allow Intensity One Post-Emergence Grass Herbicide to come in contact with desirable grass crops such as corn, rice sorghum, small grains, or turf, as these and other grass crops will be injured or killed.

Further reductions in drift can be obtained by:

1. Use large drop droplet size sprays. Do not use nozzles that produce small droplets. Orient nozzles downward and slightly backward as needed to reduce drift for ground applications.
2. Orienting nozzles straight back with the windstream, using straight stream orificies for aerial applications. Use the lowest number of nozzles practical with the largest possible orifice size to obtain the minimum 3.0 GPA volume. Application height and boom length should be set according to manufacturer's instructions to minimize drift.
3. Increasing the volume of spray mixture (for example a minimum of 10.0 GPA for ground applications) by using higher flow rate nozzles. Using lower pressure with the appropriate nozzle to obtain higher volumes will also reduce drift.
4. Applying as close to target plants as practical while maintaining a good spray pattern for adequate coverage.

INTENSITY ONE POST-EMERGENCE GRASS HERBICIDE®
EPA REG. NO. 34704-976

Do not apply under conditions involving possible drift to food, forage or other plantings that might be damaged or the crops thereof rendered unfit for sale, use or consumption.

RESISTANCE MANAGEMENT

Intensity One Post-Emergence Grass Herbicide is a Group 1 herbicide. Any weed population may contain or develop plants naturally resistant to Intensity One Post-Emergence Grass Herbicide and other Group 1 herbicides. Weed species with acquired resistance to Group 1 may eventually dominate the weed population if Group 1 herbicides are used repeatedly in the same field or in successive years as the primary method of control for targeted species. This may result in partial or total loss of control of those species by Intensity One Post-Emergence Grass Herbicide or other Group 1 herbicides. Repeated use of Intensity One Post-Emergence Grass Herbicide (or similar post-emergence grass herbicide with the same mode of action) may lead to the selection of naturally occurring biotypes that are resistant to these products in some grass species.

If poor performance occurs and cannot be attributed to adverse weather or application conditions, a resistant biotype may be present. This is most likely to occur in fields where other control strategies such as crop rotations, mechanical removal and other classes of herbicides are not used from year to year.

To delay herbicide resistance consider:

- Avoiding Intensity One Post-Emergence Grass Herbicide or other target site of action Group 1 herbicides that have similar target site of action on the same weed species.
- Using tank mixtures or premixes with herbicides from different target site of action groups as long as the involved products are all registered for the same use, have different sites of action, and are both effective at the tank mix or prepack rate on the weed(s) of concern.
- Basing herbicide use on a comprehensive IPM program.
- Monitoring treated weed populations for loss of field efficacy.
- Contacting your local extension specialist, certified crop advisors, and/or manufacturer for herbicide resistance management and/or integrated weed management recommendations for specific crops and resistant weed biotypes.

Table 1. CROP SPECIFIC USE DIRECTIONS, RESTRICTIONS AND LIMITATIONS FOR INTENSITY ONE POST-EMERGENCE GRASS HERBICIDE

Crop ¹	Minimum Time from Application to Harvest (PHI)	Use Rate /A ²	Adjuvant Recommendation ³	Ammonium Sulfate Recommendation ⁴	Special Use Instructions and Restrictions
Alfalfa, Seedling	15 days before grazing, feeding or harvesting (cutting) for forage or hay	9.0 to 32.0 fl oz	NIS at 0.25% v/v or COC/MSO at 1.0 qt/A or 1.0% v/v See tank mix label for specific adjuvant recommendations.	2.5 to 4.0 lb/A	Do not apply more than 32.0 fl oz/A/ application. Do not apply more than 64.0 fl oz/A (0.5 lb Al/A)/season. For repeat applications make on a minimum of a 14-day interval.
Alfalfa Established: Sainfoin Holy clover Birdsfoot trefoil	15 days before grazing, feeding or harvesting (cutting) for forage or hay	12.0 to 32.0 fl oz	NIS at 0.25% v/v or COC/MSO at 1.0 qt/A or 1.0% v/v See tank mix label for specific adjuvant recommendations.	2.5 to 4.0 lb/A	Do not apply more than 32.0 fl oz/A/ application. Do not apply more than 64.0 fl oz/A (0.5 lb Al/A)/season. For repeat applications make on a minimum of a 14-day interval.
Artichoke (Globe)	5 days	9.0 to 16.0 fl oz	NIS at 0.25% v/v	None	Do not apply more than 16.0 fl oz/A in a single application. For repeat applications make on a minimum of a 14-day interval. Do not apply more than 64.0 fl oz/A (0.5 lb Al/A)/season.
Asparagus	1 day	9.0 to 16.0 fl oz	NIS at 0.25% v/v	None	Do not apply more than 16.0 fl oz/A in a single application. For repeat applications make on a minimum of a 14-day interval. Do not apply more than 64.0 fl oz/A (0.5 lb Al/A)/season.

INTENSITY ONE POST-EMERGENCE GRASS HERBICIDE®
EPA REG. NO. 34704-976

Table 1. cont'd.:

Crop 1	Minimum Time from Application to Harvest (PHI)	Use Rate /A 2	Adjuvant Recommendation 3	Ammonium Sulfate Recommendation 4	Special Use Instructions and Restrictions
Beans, Dry Including: Bean (<i>Lupinus</i> spp.) (includes Grain lupin Sweet lupin White lupin White sweet lupin); (<i>Phaseolus</i> spp.) (includes Field bean Kidney bean Lima bean (Dry) Navy bean Pinto bean Tepary bean); (<i>Vigna</i> spp.) Bean (includes Adzuki bean Blackeyed pea Catjang Cowpea Crowder pea Moth bean Mung bean Rice bean Southern pea Urd bean); Broad bean (Dry); Chickpea; Guar; Lablab bean; Lentil	30 days	9.0 to 32.0 fl oz 5	NIS at 0.25% v/v	2.5 to 4.0 lb/A	Do not apply more than 32.0 fl oz/A/ application. Do not apply more than 64.0 fl oz/A (0.5 lb Al/A)/season. For repeat applications make on a minimum of 14-day interval. Refer to appropriate Table for reduced rate recommendations of the control of small annual grasses.
Bean, Succulent Shelled including Bean (<i>Phaseolus</i> spp.) Broad bean (succulent) Lima bean (green); Bean (<i>Vigna</i> spp.) Black-eyed pea Cowpea Southern pea	21 days	9.0 to 16.0 fl oz 5	NIS at 0.25% v/v	None	Refer to appropriate Table for reduced rate recommendations for the control of small annual grasses on the container label. Do not apply more than 1 application/A/season.
Beet, Garden	30 days	9.0 to 16.0 fl oz	NIS at 0.25% v/v	None	Do not apply more than 16.0 fl oz/A in a single application. Do not apply more than 64.0 fl oz/A (0.5 lb Al/A)/season. For repeat applications make on a minimum of a 14-day interval.

INTENSITY ONE POST-EMERGENCE GRASS HERBICIDE®
EPA REG. NO. 34704-976

Table 1. cont'd.:

Crop ¹	Minimum Time from Application to Harvest (PHI)	Use Rate /A ²	Adjuvant Recommendation ³	Ammonium Sulfate Recommendation ⁴	Special Use Instructions and Restrictions
Brassica Vegetables, Head and Stem ⁶ including: Broccoli Brussels sprouts Cabbage Cauliflower	30 days	9.0 to 16.0 fl oz	NIS at 0.25% v/v	None	Do not apply more than 16.0 fl oz/A in a single application. Do not apply more than 64.0 fl oz/A (0.5 lb AI/A)/season. For repeat applications make on a minimum of 14-day interval.
Bushberry including: Aronia berry Blueberry, Highbush Chilean guava Cranberry, Highbush Currant, Black Currant, Buffalo Currant, Native Currant, Red Elderberry European barberry Gooseberry Honeysuckle, Edible Huckleberry Jostaberry Juneberry Saskatoon berry Salal Sea buckthorn Cultivars, varieties and/or hybrids of these	14 days	9.0 to 16.0 fl oz	NIS at 0.25% v/v	None	Do not apply more than 16.0 fl oz/A in a single application. Do not apply more than 64.0 fl oz/A (0.5 lb AI/A)/season. For repeat applications make on a minimum of a 14-day interval. Refer to Use DIRECTIONS FOR BUSHBERRY, CANEBERRY AND PEACH.
Caneberry including: Blackberry Loganberry Raspberry, Black Raspberry, Red Raspberry, Wild Cultivars, varieties and/or hybrids of these	7 days	9.0 to 16.0 fl oz	NIS at 0.25% v/v	None	Do not apply more than 16.0 fl oz/A in a single application. Do not apply more than 64.0 fl oz/A (0.5 lb AI/A)/season. For repeat applications make on a minimum of a 14-day interval. Refer to USE DIRECTIONS FOR BUSHBERRY, CANEBERRY AND PEACH.
Canola Not for use in California	70 days	9.0 to 12.0 fl oz	NIS at 0.25% v/v	None	Do not apply after crop has begun bolting. Crop injury may occur when Intensity One Post-Emergence Grass Herbicide is applied during the bloom period. Do not apply more than 12.0 fl oz/A in a single application. Do not apply more than 12.0 fl oz/A (0.09 lb AI/A)/season.

INTENSITY ONE POST-EMERGENCE GRASS HERBICIDE®
EPA REG. NO. 34704-976

Table 1. cont'd.:

Crop 1	Minimum Time from Application to Harvest (PHI)	Use Rate /A 2	Adjuvant Recommendation 3	Ammonium Sulfate Recommendation 4	Special Use Instructions and Restrictions
Carrot	30 days	9.0 to 16.0 fl oz	NIS at 0.25% v/v	None	Do not apply more than 16.0 fl oz/A in a single application. Do not apply more than 64.0 fl oz/A (0.5 lb Al/A)/season. For repeat applications make on a minimum of a 14-day interval.
Clover	15 days before grazing, feeding, or harvesting (cutting) for forage or hay	9.0 to 32.0 fl oz	NIS at 0.25% v/v	2.5 to 4.0 lb/A	For use on clover grown in the states of ID, OR and WA only. Do not exceed 32.0 fl oz (0.25 lb Al/A)/season. For repeat applications make on minimum of a 14-day interval.
Corn, Field 7	90 days	6.0 fl oz	NIS at 0.25% v/v plus AMS. Do not use COC or MSO in this use pattern.	2.5 to 4.0 lb/A	Do not make more than 1 application/season. To control existing stand, replant no sooner than 6 days after application.
Cotton	60 days	9.0 to 32.0 fl oz	NIS at 0.25% v/v or COC/MSO at 1.0 qt/A or 1.0% v/v See tank mix label for specific adjuvant recommendations.	2.5 to 4.0 lb/A	Do not graze treated fields or feed treated forage or hay to livestock. Do not apply more than 32.0 fl oz/A in a single application. Do not apply more than 64.0 fl oz/A (0.5 lb Al/A)/season. For repeat applications make on a minimum of 14-day interval.
Cranberry	30 days	9.0 to 16.0 fl oz	NIS at 0.25% v/v	None	Do not apply more than 16.0 fl oz/A in a single application. Do not apply more than 64.0 fl oz/A (0.5 lb Al/A)/season. Do not apply between the "hook" stage and full fruit set. For repeat applications make on a minimum of a 14-day interval.
Cucurbits including: Cantaloupes (all) Cucumber Gherkin Honeydew Melon Muskmelons (all) Pumpkin Squash (all) Watermelon	14 days	9.0 to 16.0 fl oz	NIS at 0.25% v/v	None	Do not apply more than 16.0 fl oz/A in a single application. Do not apply more than 64.0 fl oz/A (0.5 lb Al/A)/season. For repeat applications make on a minimum of a 14-day interval.
Edamame (Immature soybean)	21 days	9.0 to 16.0 fl oz	NIS at 0.25% v/v	None	Do not apply more than 16.0 fl oz/A in a single application. Do not apply more than 1 application /A/season.
Fallow Land Conifer Trees (and other non-producing agricultural areas) Non-Crop or Non-Planted Areas	N/A	9.0 to 32.0 fl oz	NIS at 0.25% v/v or COC/MSO at 1.0 qt/A or 1.0% v/v	2.5 to 4.0 lb/A	Do not plant any crop for 30 days after application unless clethodim is registered for use in that crop. Do not apply more than 32.0 fl oz/A per application. Do not apply more than 64.0 fl oz/A (0.5 lb Al/A)/season.

Minimum Time from Application	Use Rate	Adjuvant	Ammonium Sulfate	Special Use Instructions
--------------------------------------	-----------------	-----------------	-------------------------	---------------------------------

INTENSITY ONE POST-EMERGENCE GRASS HERBICIDE®
EPA REG. NO. 34704-976

Crop ¹	to Harvest (PHI)	/A ²	Recommendation ³	Recommendation ⁴	and Restrictions
Flax Not for use in California	60 days	9.0 to 16.0 fl oz	NIS at 0.25% v/v	None	Apply prior to bloom. Crop injury may occur when Intensity One Post-Emergence Grass Herbicide is applied during the bloom period. Do not apply more than 16.0 fl oz/A per application. Do not exceed 32.0 fl oz (0.25 lb AI/A)/season. For repeat applications make on a minimum of 14-day interval.
Fruiting Vegetable (Except Tomato) including: Eggplant Groundcherry Pepino Peppers (all) Tomatillo	20 days	9.0 to 16.0 fl oz	NIS at 0.25% v/v	None	Do not apply more than 16.0 fl oz/A in a single application. Do not apply more than 64.0 fl oz/A (0.5 lb AI/A)/season. For repeat applications make on a minimum of a 14-day interval.
Herbs Angelica Balm Basil Borage Burnet Camomile Catnip Chervil (dried) chive Chinese chive Clary Coriander (leaf) Costmary Cilantro (leaf) Curry (leaf) Dill (Dillweed) Horehound Hyssop Lavender Lovage (leaf) Marigold Marjoram (<i>Origanum</i> spp.) Nasturtium Parsley (dried) Pennyroyal Rosemary Rue Sage Savory (summer and winter) Sweet Bay Tansy Tarragon Thyme Wintergreen Woodruff Wormwood	14 days	9.0 to 16.0 fl oz	NIS at 0.25% v/v	None	Intensity One Post-Emergence Grass Herbicide has not been tested on all herbs, and herb varieties. It is the responsibility of the user to test Intensity One Post-Emergence Grass Herbicide on a small portion of the crop to be treated before treating the entire field. Crop tolerance to Intensity One Post-Emergence Grass Herbicide should be verified on a small area of the herb crop, at the desired Intensity One Post-Emergence Grass Herbicide rate and with the same crop oil concentrate that will be used on the herb field. If no crop response is evident 7 days after treatment, Intensity One Post-Emergence Grass Herbicide may be used on the entire field at the rate tested and with the same crop oil used in the tolerance test. For repeat applications make on a minimum of a 14-day interval. Do not apply more than 16.0 fl oz/A in a single application. Do not apply more than 64.0 fl oz/A (0.5 lb AI/A)/season.

Crop ¹	Minimum Time from Application to Harvest (PHI)	Use Rate /A ²	Adjuvant Recommendation ³	Ammonium Sulfate Recommendation ⁴	Special Use Instructions and Restrictions
Hops	21 days	9.0 to	NIS at 0.25% v/v	None	Do not apply more than 16.0 fl oz/A

INTENSITY ONE POST-EMERGENCE GRASS HERBICIDE®
EPA REG. NO. 34704-976

16.0 fl oz

in a single application.
 For repeat applications make on a minimum of a 14-day interval.
 Do not apply more than 64.0 fl oz/A (0.5 lb AI/A)/season.

Leafy Brassica Greens including: Broccoli raab Cabbage, Chinese (Bok choy) Collards Kale Mizuna Mustard greens Mustard spinach Rape greens Turnip greens	14 days	9.0 to 16.0 fl oz	NIS at 0.25% v/v	None	Do not apply more than 16.0 fl oz/A in a single application. Do not apply more than 64.0 fl oz/A (0.5 lb AI/A)/season. For repeat application make on a minimum of a 14-day interval.
Leaf Lettuce	14 days	9.0 to 16.0 fl oz	NIS at 0.25% v/v	None	Do not apply more than 16.0 fl oz/A in a single application. Do not apply more than 64.0 fl oz/A (0.5 lb AI/A)/season. For repeat applications make on a minimum of a 14-day interval.
Leaf Petioles Cardoon Celery Celery, Chinese Celtuce Fennel Florence (Finochio) Rhubarb Swiss chard	30 days	9.0 to 16.0 fl oz	NIS at 0.25% v/v	None	Do not apply more than 16.0 fl oz/A in a single application. Do not apply more than 64.0 fl oz/A (0.5 lb AI/A)/season. For repeat applications make on a minimum of a 14-day interval.
Leafy Greens Amaranth (Chinese spinach Leafy amaranth Tampala) Arugula (Roquette) Cardoon Celery Celery Chinese Celtuce Chervil Chrysanthemum, Edible-leaved Chrysanthemum, garland, corn salad Cress, garden Cress, upland (Yellow rock and Winter) Dandelion Dock (sorrel) Endive (escarole) Fennel, Florence	14 days	9.0 to 16.0 fl oz	NIS at 0.25% v/v	None	Do not apply more than 16.0 fl oz/A in a single application. Do not apply more than 64.0 fl oz/A (0.5 lb AI/A)/season. For repeat applications make on a minimum of a 14-day interval.

Crop ¹	Minimum Time from Application to Harvest (PHI)	Use Rate /A ²	Adjuvant Recommendation ³	Ammonium Sulfate Recommendation ⁴	Special Use Instructions and Restrictions
Leafy Greens	14 days	9.0 to	NIS at 0.25% v/v	None	Do not apply more than 16.0 fl oz/A

Cont'd. next page

INTENSITY ONE POST-EMERGENCE GRASS HERBICIDE®
EPA REG. NO. 34704-976

cont'd.: Lettuce, Head and Leaf Orach Parsley Purslane Garden Radicchio (Red chicory) Winter Rhubarb Spinach Spinach New Zealand Vine (Indian and Malabar) Swiss chard	16.0 fl oz				in a single application. Do not apply more than 64.0 fl oz/A (0.5 lb AI/A)/season. For repeat applications make on a minimum of a 14-day interval.
Legume Vegetables, Edible Podded including: Bean vest. (<i>Phaseolus</i> spp.) Runner Snap Wax Bean (<i>Vigna</i> spp.) Asparagus Chinese longbean Moth Yardlong Jackbean Edamame, Immature soybean Pea (<i>Pisum</i> spp.) Dwarf Edible-pod Pigeon Snow Sugar snap Sword Bean	21 days	9.0 to 16.0 fl oz ⁽⁵⁾	NIS at 0.25% v/v	None	Do not apply more than 16.0 fl oz/A in a single application. Do not apply more than 1 application/A/season. For peas apply before bloom, but no later than 21 days before har-
Mint	21 days	9.0 to 32.0 fl oz	NIS at 0.25% v/v or COC/MSO at 1.0 qt/A or 1.0% v/v	2.5 to 4.0 lb/A	Do not apply more than 32.0 fl oz/A in a single application. Do not apply more than 64.0 fl oz/A (0.5 lb AI/A)/season. For repeat applications make on a minimum of a 14-day interval.
Mustard seed (Not for use in California)	75 days	9.0 to 12.0 fl oz	NIS at 0.25% v/v	None	Do not apply after crop has begun bolting. Crop injury may occur when Intensity One Post-Emergence Grass Herbicide is applied during the bloom period. Do not apply more than 12.0 fl oz/A/season. For repeat applications make on a minimum of a 14-day interval.

Crop ¹	Minimum Time from Application to Harvest (PHI)	Use Rate /A ²	Adjuvant Recommendation ³	Ammonium Sulfate Recommendation ⁴	Special Use Instructions and Restrictions
Onions	45 days	9.0 to	NIS at 0.25% v/v	None	Do not apply more than 32.0 fl oz/A/

INTENSITY ONE POST-EMERGENCE GRASS HERBICIDE®
EPA REG. NO. 34704-976

(Dry bulbs only) ^{8, 9} Garlic ^{8, 9} Shallots (Dry bulbs only) ^{8, 9}		32.0 fl oz			application. Do not apply more than 64.0 fl oz/A (0.5 lb AI/A)/season. For repeat applications make on a minimum of a 14-day interval. Minimum of 20.0 gal/A spray volume by ground in entire U.S. Minimum of 20.0 gal/A spray volume by air in CA. ⁸ In states other than CA, air applications to garlicks, onion or shallots should be made in a minimum of 10.0 gal/A. ⁸
Onions, Green ^{8, 9} including: Green eschalots Green shallots Japanese bunching onions Leeks Scallions or be Spring onions	14 days	9.0 to 16.0 fl oz	NIS at 0.25% v/v	None	Do not apply more than 16.0 fl oz/A in a single application. Do not apply more than 64.0 fl oz/A (0.5 lb AI/A)/season. For repeat applications make on a minimum of a 14-day interval. Minimum of 20.0 gal/A spray volume by air in CA. ⁸ In states other than CA, air applications to garlic, onions or shallots should
Ornamentals	N/A	9.0 to 32 fl oz	NIS at 0.25% v/v	None	made in a minimum of 10.0 gal/A. ⁸ Do not apply more than 64.0 fl oz/A (0.5 lb AI/A)/season. For repeat applications make on a minimum of a 14-day interval.
Non-Bearing Food Crops	N/A	9.0 to 16.0 fl oz			Sugar maples cannot be tapped for syrup within 1 year of Intensity One Post-Emergence Grass Herbicide application.
Pea, Shelled (<i>Pisum</i> spp.) Field pea Pigeon pea	30 days	9.0 to 16.0 fl oz	NIS at 0.25% v/v	None	Do not apply more than 16.0 fl oz/A in a single application. Do not apply more than 1 application/A/season. Apply before bloom but not later than 30 days prior to harvest. ¹⁰ Refer to appropriate table for reduced rate recommendations for the control of small annual grasses on the container label.
Pea, Succulent Shelled (<i>Pisum</i> spp.) English pea Garden pea Green pea Pigeon pea	21 days	9.0 to 16.0 fl oz	NIS at 0.25% v/v	None	Do not apply more than 16.0 fl oz/A in a single application. Do not apply more than 1 application/A/season. Apply before bloom but not later than 30 days prior to harvest. ¹⁰ Refer to appropriate table for reduced rate recommendations for the control of small annual grasses on the container label.
Crop ¹	Minimum Time from Application to Harvest (PHI)	Use Rate /A ²	Adjuvant Recommendation ³	Ammonium Sulfate Recommendation ⁴	Special Use Instructions and Restrictions
Peach	14 days	9.0 to	NIS at 0.25% v/v	None	Do not apply more than 16.0 fl oz/A in a

INTENSITY ONE POST-EMERGENCE GRASS HERBICIDE®
EPA REG. NO. 34704-976

16.0 fl oz

single application.
Do not apply more than 64.0 fl oz/A
(0.5 lb AI/A)/season.
For repeat applications make on a
minimum of a 14-day interval.
Refer to Use DIRECTIONS FOR
BUSHBERRY, CANEBERRY AND
PEACH.

Peanut (Including Perennial)	40 days	9.0 to 32.0 fl oz	NIS at 0.25% v/v or COC/MSO at 1.0 qt/A or 1.0% v/v	2.5 to 4.0 lb/A	Do not apply more than 32.0 fl oz/A in a single application. Do not apply more than 64.0 fl oz/A (0.5 lb AI/A)/season. For repeat applications make on a minimum of a 14-day interval.
Potato	30 days	9.0 to 32.0 fl oz	NIS at 0.25% v/v or COC/MSO at 1.0 qt/A or 1.0% v/v	2.5 to 4.0 lb/A	Do not apply more than 32.0 fl oz/A in a single application. Do not apply more than 64.0 fl oz/A (0.5 lb AI/A)/season. For repeat applications make on a minimum of 14-day interval.
Radish	15 days	9.0 to 16.0 fl oz	NIS at 0.25% v/v	None	Do not apply more than 16.0 fl oz/A in a single application. Do not apply more than 32.0 fl oz (0.25 lb AI)/A/season. For repeat applications make on a minimum of 14-day interval.
Root Vegetables (except Radish) ¹¹	30 days	9.0 to 16.0 fl oz	NIS at 0.25% v/v	None	Do not apply more than 16.0 fl oz/A in a single application. Do not apply more than 64.0 fl oz/A (0.5 lb AI/A)/season. For repeat applications make on a minimum of a 14-day interval.
Safflower	70 days	9.0 to 16.0 fl oz	NIS at 0.25% v/v	None	Do not apply more than 16.0 fl oz/A in a single application. For repeat applications make on a minimum of a 14-day interval. Do not apply more than 64.0 fl oz/A (0.5 lb AI/A)/season.
Sesame	14 days	9.0 to 16.0 fl oz	NIS at 0.25% v/v	None	Do not apply during flowering. Do not apply more than 16.0 fl oz/A in a single application. For repeat applications make on a minimum of a 14-day interval. Do not apply more than 64.0 fl oz/A (0.5 lb AI/A)/season.
Soybean ¹²	60 days	9.0 to 32.0 fl oz	NIS at 0.25% v/v or COC/MSO at 1.0 qt/A or 1.0% v/v See tank mix label for specific adjuvant recommendations	2.5 to 4.0 lb/A	Do not apply more than 32.0 fl oz/A/ application. Do not apply more than 64.0 fl oz/A (0.5 lb AI/A)/season. For repeat applications make on a minimum of a 14-day interval. Do not graze treated fields or feed treated forage or hay to livestock. Refer to appropriate table for reduced rate recommendations for the control of small annual grasses.

Crop ¹	Minimum Time from Application to Harvest (PHI)	Use Rate /A ²	Adjuvant Recommendation ³	Ammonium Sulfate Recommendation ⁴	Special Use Instructions and Restrictions
Strawberry	4 days	9.0 to	NIS at 0.25% v/v	None	Do not apply more than 16.0 fl oz/A

INTENSITY ONE POST-EMERGENCE GRASS HERBICIDE®
EPA REG. NO. 34704-976

		16.0 fl oz			in a single application. Do not apply more than 64.0 fl oz/A (0.5 lb AI/A)/season. For repeat applications make on a minimum of a 14-day interval.
Sugar Beet	40 days	9.0 to 32.0 fl oz	NIS at 0.25% v/v or COC/MSO at 1.0 qt/A or 1.0% v/v See tank mix label for specific adjuvant recommendations.	2.5 to 4.0 lb/A	Do not apply more than 32.0 fl oz/A/application. Do not apply more than 64.0 fl oz/A (0.5 lb AI/A)/season. For repeat applications make on a minimum of 14-day interval. Refer to appropriate table for reduced rate recommendations for the control of small annual grasses.
Sunflower	70 days	9.0 to 32.0 fl oz	NIS at 0.25% v/v or COC/MSO at 1.0 qt/A or 1.0% v/v See tank mix label for specific adjuvant recommendations	2.5 to 4.0 lb/A	Do not apply more than 32.0 fl oz/A/application. Do not apply more than 64.0 fl oz/A (0.5 lb AI/A)/season. For repeat applications make on a minimum of a 14-day interval.
Sweet Potato, Yam and other tuberous and corm vegetables (except potato)¹³	30 days	9.0 to 32.0 fl oz	NIS at 0.25% v/v	None	Do not apply more than 32.0 fl oz/A/application. Do not apply more than 64.0 fl oz/A (0.5 lb AI/A)/season. For repeat applications make on a minimum of a 14-day interval.
Tomato	20 days	9.0 to 32.0 fl oz	NIS at 0.25% v/v	None	Do not apply more than 32.0 fl oz/A/application. Do not apply more than 64.0 fl oz/A (0.5 lb AI/A)/season. For repeat applications make on a minimum of a 14-day interval.

N/A = Not Applicable

- ¹ Intensity One Post-Emergence Grass Herbicide is not recommended for use on vegetable crops being grown for seed production unless specific use directions are provided.
- ² See annual and perennial grass control tables for specific use rate recommendations.
- ³ NIS (non-ionic surfactant) in this case refers to an adjuvant containing at least 80% non-ionic surfactant. Crop oil concentrate in this case refers to both crop oil concentrate and crop oil concentrate blends. Acceptable crop oil concentrates would be those that contain a minimum of 80% oils and 25 to 40% surfactants and emulsifiers. A crop oil concentrate must contain either a petroleum or vegetable oil base and must meet all the following criteria: be non-phytotoxic, contain only EPA-exempt ingredients, provide good mixing quality and be successful in local experience. Highly refined vegetable oils have proven more satisfactory than unrefined vegetable oils.
- ⁴ Use spray grade ammonium sulfate. The use of ammonium sulfate does not take the place of the required adjuvant.
- ⁵ See the DIRECTIONS FOR REDUCED RATE USE TO CONTROL SMALL ANNUAL GRASSES table.
- ⁶ Other Head and Stem Brassica Vegetables approved include: Brussels sprouts, Cavolo broccoli, Chinese broccoli, Chinese (Napa) cabbage, Chinese mustard and kohlrabi.
- ⁷ For burndown of existing stand of Roundup Ready field corn or volunteer Roundup Ready field corn prior to replanting field corn. See RECOMMENDATIONS FOR USE IN ROUNDUP READY FIELD CORN (BURNDOWN) table.
- ⁸ If Intensity One Post-Emergence Grass Herbicide is applied as a spot treatment to garlic, onion, shallot or non-bearing food crops care should be taken to not exceed the maximum rate allowed on a per acre basis or crop injury may occur.
- ⁹ In California, do not apply Intensity One Post-Emergence Grass Herbicide to garlic, onion or shallot until crop has at least 2 full leaves. In California, 14-day spray intervals are recommended between the application of Intensity One Post-Emergence Grass Herbicide and liquid nitrogen or other herbicide applications. Injury to crop may occur when shorter intervals are observed.
- ¹⁰ Applications of Intensity One Post-Emergence Grass Herbicide to Peas during bloom period could result in severe crop injury, including loss of yield and delayed maturity.
- ¹¹ Other Root Vegetables approved for use with Intensity One Post-Emergence Grass Herbicide include: Burdock, Edible; Celeric; Chervil, Turnip-rooted; Parsnip; Radish, Oriental; Rutabaga; Salsify; Salsify, Black; Salsify, Spanish; Skirret and Turnip.
- ¹² See Intensity One Post-Emergence Grass Herbicide Tank Mix with Broadleaf Herbicides for the Control of Volunteer Corn (including Roundup Ready) in Soybean.

INTENSITY ONE POST-EMERGENCE GRASS HERBICIDE®
EPA REG. NO. 34704-976

¹³ Other Tuberos and Corm Vegetables approved for use with Intensity One Post-Emergence Grass Herbicide include: Arracacha; Arrowroot; Chinese artichoke; Jerusalem artichoke; Edible burdock; Edible canna; Cassava, Bitter and Sweet; Chayote (Root); Chufa; Dasheen (Taro); Ginger, Leren; Tanier; Turmeric and Bean yam.

LIBERATE® should be used as the Non-Ionic Surfactant and **MSO® with Leci-Tech®** should be used where COC/MSO tank mix adjuvants are recommended. Use rate recommendations are listed throughout the Intensity One Post-Emergence Grass Herbicide label.

USE DIRECTIONS FOR ANNUAL GRASSES
(ALL CROPS)

- Apply only to actively growing grasses at recommended weed heights.
- Apply when the first grass weed species in a mixed grass weed population reaches the recommended growth stage for treatment.
- Use the high rate under heavy grass pressure and/or when grasses are at maximum height.
- Do not exceed the maximum per application rate listed in Table 1 CROP SPECIFIC USE DIRECTIONS, RESTRICTIONS AND LIMITATIONS FOR Intensity One Post-Emergence Grass Herbicide.

Grass Species	Scientific Name	Weed Height* (Inches)	Applicaton Rates	
			Minimum Rate Fl Oz/A	Maximum Rate ¹ Fl Oz/A
Barnyardgrass	<i>Echinochloa crus-galli</i>	2 to 8	9.0	16.0
Broadleaf signalgrass	<i>Brachiaria platyphylla</i>	2 to 6	9.0	16.0
Brome				
California	<i>Bromus carinatus</i>	2 to 6	9.0	16.0
Cheat	<i>Bromus secalinus</i>	2 to 6	9.0	16.0
Downy	<i>Bromus tectorum</i>	2 to 6	9.0	16.0
Ripgut	<i>Bromus diandrus</i>	2 to 6	9.0	16.0
Canarygrass	<i>Phalaris canariensis</i>	1 to 4	9.0	16.0
Crabgrass				
Hairy	<i>Digitaria adscendens</i>	2 to 6**	9.0	16.0
Large	<i>Digitaria sanguinalis</i>	2 to 6**	9.0	16.0
Smooth	<i>Digitaria ischaemum</i>	2 to 6**	9.0	16.0
Southern	<i>Digitaria ciliaris</i>	2 to 6**	9.0	16.0
Crowfootgrass	<i>Dactyloctenium aegyptium</i>	2 to 6**	9.0	16.0
Fall panicum	<i>Panicum dichotomiflorum</i>	2 to 8	9.0	16.0
Field sandbur	<i>Cenchrus incertus</i>	2 to 6	9.0	16.0
Foxtail				
Giant	<i>Setaria faberi</i>	2 to 12	9.0	16.0
Green	<i>Setaria viridis</i>	2 to 8	9.0	16.0
Yellow	<i>Setaria glauca</i>	2 to 8	9.0	16.0
Goosegrass	<i>Eleusine indica</i>	2 to 6**	9.0	16.0
Itchgrass	<i>Rottboellia cochinchinensis</i>	2 to 6	9.0	16.0
Junglerice	<i>Echinochloa colona</i>	2 to 6	9.0	16.0
Lovegrass (Stinkgrass)	<i>Eragrostis cilianensis</i>	2 to 6	9.0	16.0
Rabbitsfootgrass	<i>Polypogon monspeliensis</i>	1 to 4	9.0	16.0
Red rice	<i>Oryza sativa</i>	1 to 3	9.0	16.0
Ryegrass				
Hardy	<i>Lolium remotum</i>	2 to 6	9.0	16.0
Italian	<i>Lolium multiflorum</i>	2 to 6	9.0	16.0
Seedling Johnsongrass	<i>Sorghum halepense</i>	4 to 10	9.0	16.0
Shattercane	<i>Sorghum bicolor</i>	6 to 18	9.0	16.0
Southwestern cupgrass	<i>Eriochola gracillis</i>	2 to 6	9.0	16.0
Sprangletop				
Amazon	<i>Leptochloa panicoides</i>	2 to 6	9.0	16.0
Bearded	<i>Leptochloa fascicularis</i>	2 to 6	9.0	16.0
Mexican	<i>Leptochloa uninervia</i>	2 to 6	9.0	16.0
Red	<i>Leptochloa filiformis</i>	2 to 6	9.0	16.0
Texas panicum	<i>Panicum texanum</i>	2 to 6	9.0	16.0
Grass Species	Scientific Name	Weed Height* (Inches)	Minimum Rate Fl Oz/A	Maximum Rate ¹ Fl Oz/A

Volunteer cereals ³

Cont'd. next page

INTENSITY ONE POST-EMERGENCE GRASS HERBICIDE®
EPA REG. NO. 34704-976

Barley	<i>Hordeum vulgare</i>	2 to 6	9.0	16.0
Oats	<i>Avena sativa</i>	2 to 6	9.0	16.0
Rye	<i>Secale cereale</i>	2 to 6	9.0	16.0
Wheat ²	<i>Triticum aestivum</i>	2 to 6	9.0 ²	16.0
Volunteer corn ^{2,3}	<i>Zea mays</i>	Up to 12	6.0	12.0
Volunteer corn ³	<i>Zea mays</i>	Up to 24	9.0	14.0
Volunteer corn ^{2,3}	<i>Zea mays</i>	Up to 36	12.0	16.0
Volunteer grain Sorghum	<i>Sorghum bicolor</i>	8 to 12	9.0	16.0
Wild oats	<i>Avena fatua</i>	2 to 6	9.0	16.0
Wild proso millet	<i>Panicum miliaceum</i>	2 to 10	9.0	16.0
Witchgrass	<i>Panicum capillare</i>	2 to 8	9.0	16.0
Woolly cupgrass	<i>Eriochloa villosa</i>	2 to 8	9.0	16.0

*Generally occurs between 3-leaf stage and tillering.

**Length of lateral growth.

¹ Rates higher than 16.0 fluid ounces per acre may be applied in certain geographic areas, cropping situations or environmental conditions, where experience has shown that higher rates are needed for satisfactory control of annual grasses. In these situations, rates from 16.0 to 32.0 fluid ounces per acre may be applied. Do not apply more than 16.0 fluid ounces per acre of Intensity One Post-Emergence Grass Herbicide per application to the following crops: broccoli, cabbage, carrot, cauliflower (and other Head and Stem Brassica Vegetables), Celery, Cranberry, Cucurbits, Flax, Fruiting vegetables (except Tomato), Garden beets, Green onion, Leaf lettuce, Radish (and other Root vegetables), Rhubarb (and other Leaf petioles), Strawberry and non-bearing food crops. Do not apply more than 12.0 fluid ounces per acre of Intensity One Post-Emergence Grass Herbicide per application to Canola or Mustard seed.

² When a Cereal grain crop (such as wheat) is interseeded for crop establishment or is planted as wind breaks to aid crop establishment, the minimum Intensity One Post-Emergence Grass Herbicide use rate for control is 12.0 fluid ounces per acre.

³ Includes Roundup Ready, LibertyLink® and IMI-CORN Volunteer corn; however not sethoxydim-resistant volunteer corn.

USE DIRECTIONS FOR ANNUAL & PERENNIAL GRASS CONTROL IN ESTABLISHED ALFALFA AND MINT WITH INTENSITY ONE POST-EMERGENCE GRASS HERBICIDE

Grass Species	Weed Species and Size	Application Rates	
		Min Rate Fl Oz/A	Max Rate Fl Oz/A
Annual and Perennial Grasses Listed in Grass Table	See Table	12.0	32.0

Mowing: The best control of annual grasses can be achieved by applying Intensity One Post-Emergence Grass Herbicide before grass weeds are mowed. Once a grass is mowed it becomes tougher to control, as much of the available leaf surface has been removed. In areas without a killing frost, some annuals can over-winter after having been mowed multiple times. These grasses form large crowns and may require repeated applications of Intensity One Post-Emergence Grass Herbicide for partial or complete control.

Irrigated Alfalfa and Mint: Irrigation practices can be very critical to the successful use of Intensity One Post-Emergence Grass Herbicide in established alfalfa and mint and may be necessary to initiate active growth of the weeds prior to application. Generally applications 2 to 4 days after an irrigation are most effective. Irrigation made shortly after application (2 days) can be effective, but more consistent grass control occurs when the irrigation is made before the application.

Aerial Application: Apply Intensity One Post-Emergence Grass Herbicide in a minimum of 10.0 GPA in established alfalfa and mint when applying by air.

Annual Grass Control: Apply Intensity One Post-Emergence Grass Herbicide at the grass sizes indicated in the Recommendations for Annual Grasses table and rates indicated. If a grass has been cut, apply Intensity One Post-Emergence Grass Herbicide after active growth has resumed and regrowth has reached the minimum height and before it reaches the maximum height indicated. Apply before the alfalfa/mint canopy covers the grasses and interferes with the spray coverage. Some annual grasses are spring and summer-germinating plants, while others are fall-germinating plants, and the time they are actively growing and most susceptible to Intensity One Post-Emergence Grass Herbicide may vary from region to region. Also some annuals germinate over an extended period of time, and because control of small grasses is desired, applications after each weed flush may be required. As a general rule spray spring and summer germinating grasses as early in the season as possible, after initial green-up. Spray fall-germinating weeds in the fall soon after they begin growing but before any damage is done due to frost. Late fall applications may be less effective due to environmental conditions, such as frost, slower plant growth, or the onset of flowering.

Perennial Grass Control: Intensity One Post-Emergence Grass Herbicide effectively controls perennial grasses such as Bermudagrass, Foxtail barley, Johnsongrass, Orchardgrass, Quackgrass, Tall fescue, and Wirestem muhly. Due in part to lack of tillage, perennial grasses are more difficult to control in a perennial crop such as established alfalfa or mint. A program of repeated applications is usually necessary for best results. The best way to control perennial grasses is to do so in the year of stand establishment before rhizomes and

INTENSITY ONE POST-EMERGENCE GRASS HERBICIDE®
EPA REG. NO. 34704-976

stolons become large and difficult to kill.

Use the high rate under heavy grass pressure and/or when grasses are at or near maximum height.

**USE DIRECTIONS FOR ANNUAL BLUEGRASS CONTROL WITH
INTENSITY ONE POST-EMERGENCE GRASS HERBICIDE
(ALL CROPS)**

Grass Species	Weed Stage	Rate - FI Oz/A	High Rate - FI Oz/A
Annual bluegrass (<i>Poa annua</i>)	up to 4-leaf	12.0*	32.0

Apply under favorable soil moisture and humidity which exists within a few days after rainfall or within 7 days after irrigation. Grass needs to be actively growing at time of application(s).

Apply at weed stage indicated on the label, as reduced control can be expected with more mature annual bluegrass.

Use the high rate under heavy grass pressure and/or when Annual bluegrass is more mature.

See Table 1 for specific adjuvant recommendations.

*Use a minimum of 17.0 fluid ounces per acre to control Annual bluegrass in seedling and established alfalfa and mint.

LIBERATE should be used as the Non-Ionic Surfactant and **MSO with Leci-Tech** should be used where COC/MSO tank mix adjuvants are recommended. Use rate recommendations are listed throughout the Intensity One Post-Emergence Grass Herbicide label.

**DIRECTIONS FOR REDUCED RATE USE TO CONTROL SMALL ANNUAL GRASSES, CANOLA, FLAX, LEGUME
VEGETABLES (DRY AND SUCCULENT), MUSTARD SEED, SOYBEAN, SUGAR BEET AND SUNFLOWER
(REDUCED RATE RECOMMENDATIONS NOT FOR USE IN CALIFORNIA)**

- Apply only to actively growing grasses at recommended weed heights.
- Apply when the first grass weed species in a mixed grass weed population reaches the recommended growth stage for treatment.
- Regrowth by tillering may occur if application is made when plants are stressed by lack of moisture, excessive moisture, low or high temperatures and/or under very low humidity.

Grass Species	Scientific Name	Weed Height (Inches)	Rate FI Oz/A ¹
Barnyardgrass	<i>Echinochloa crus-galli</i>	1 to 4	6.0
Broadleaf signalgrass	<i>Brachiaria platyphylla</i>	1 to 4	8.0
Crabgrass			
Large	<i>Digitaria sanguinalis</i>	1 to 3*	6.0
Large	<i>Digitaria sanguinalis</i>	1 to 4*	8.0
Smooth	<i>Digitaria ischaemum</i>	1 to 3*	6.0
Smooth	<i>Digitaria ischaemum</i>	1 to 4*	8.0
Southern	<i>Digitaria ciliaris</i>	1 to 4*	8.0
Fall panicum	<i>Panicum dichotomiflorum</i>	1 to 4	6.0
Foxtail			
Giant	<i>Setaria faberi</i>	1 to 4	6.0
Green	<i>Setaria viridis</i>	1 to 4	6.0
Millet	<i>Setaria italica</i>	1 to 4	8.0
Yellow	<i>Setaria glauca</i>	1 to 4	6.0
Seedling Johnsongrass	<i>Sorghum halepense</i>	1 to 6	8.0
Shattercane	<i>Sorghum bicolor</i>	4 to 10	6.0
Texas panicum	<i>Panicum texanum</i>	1 to 4	8.0
Volunteer cereals			
Barley	<i>Hordeum vulgare</i>	1 to 4	8.0
Oats	<i>Avena sativa</i>	1 to 4	8.0
Wheat	<i>Triticum aestivum</i>	1 to 4	8.0
Volunteer corn**	<i>Zea mays</i>	4 to 12	6.0
Wild proso millet	<i>Panicum milaceum</i>	1 to 6	6.0
Wild oats	<i>Avena fatua</i>	1 to 4	8.0

*Length of lateral growth

** Not S.R. Corn

¹ Always add a non-ionic surfactant at 0.25% v/v total spray volume unless crop specific restrictions and limitations advise otherwise.

LIBERATE should be used as the Non-Ionic Surfactant and **MSO with Leci-Tech** should be used where COC/MSO tank mix adjuvants are recommended. Use rate recommendations are listed throughout the Intensity One Post-Emergence Grass Herbicide label.

**USE DIRECTIONS FOR PERENNIAL GRASSES
(ALL CROPS)**

- Apply only to actively growing grasses at recommended weed heights.

INTENSITY ONE POST-EMERGENCE GRASS HERBICIDE®
EPA REG. NO. 34704-976

- Apply when the first grass weed species in a mixed grass weed population reaches the recommended growth stage for treatment.
- Use the high rate under heavy grass pressure and/or when grasses are at maximum height.

Grass Species	Weed Height (Inches)	Application Rate	
		Min Rate Fl Oz/A	Max Rate Fl Oz/A
Bentgrass* (<i>Agrostis</i> spp.)			
First Application	2 to 4	—	32.0
Repeat Application(s) (if regrowth occurs)	2 to 4	—	32.0
Bermudagrass (<i>Cynodon dactylon</i>)			
First Application	3 (or up to 6" runners)	12.0	32.0
Repeat Application(s) (if regrowth occurs)	3 (or up to 6" runners)	12.0	32.0
Fescue, Tall (<i>Festuca arundinacea</i>)			
First Application	4 to 8	12.0	32.0
Repeat Application(s) (if regrowth occurs)	4 to 8	12.0	32.0
Foxtail barley (<i>Hordeum jubatum</i>)			
First Application	2 to 6	12.0	32.0
Repeat Application(s) (if regrowth occurs)	2 to 6	12.0	32.0
Orchardgrass (<i>Dactylis glomerata</i>)			
First Application	4 to 8	12.0	32.0
Repeat Application(s) (if regrowth occurs)	4 to 8	12.0	32.0
Perennial bluegrass*			
Roughstalk (<i>Poa trivialis</i>)			
Kentucky (<i>Poa prantensis</i>)			
First Application	2 to 4	12.0	32.0
Repeat Application(s) (if regrowth occurs)	2 to 4	12.0	32.0
Quackgrass* (<i>Elytrigia repens</i>)			
First Application	4 to 12	12.0	32.0
Repeat Application(s) (if regrowth occurs)	4 to 12	12.0	32.0
Rhizome Johnsongrass (<i>Sorghum halepense</i>)			
First Application	12 to 24	12.0	32.0
Repeat Application(s) (if regrowth occurs)	6 to 18	9.0	24.0
Wirestem muhly (<i>Muhlenbergia frondosa</i>)			
First Application	4 to 8	12.0	32.0
Repeat Application(s) (if regrowth occurs)	4 to 8	12.0	32.0

USE DIRECTIONS FOR USE IN ROUNDUP READY FIELD CORN (BURNDOWN)

Grass Species	Weed Height (Inches)	Application Rate
		Rate When Applied Alone Or With Glyphosate - Fl Oz/A
Field corn	Up to 12	6

For control of existing stand of Roundup Ready field corn or volunteer Roundup Ready field corn prior to replanting field corn. Care must be taken to avoid in field boom (spray) overlaps or excessive crop injury may occur. Replant no sooner than 6 days after application. Adjuvant recommendations: NIS at 0.25% v/v plus AMS at 2.5 to 4.0 pounds per acre. Do not use a COC or MSO with this use pattern.

**TANK MIXES
 LABEL INFORMATION**

The labels for each of the herbicides recommended for tank mixing with Intensity One Post-Emergence Grass Herbicide are unique to

INTENSITY ONE POST-EMERGENCE GRASS HERBICIDE®
EPA REG. NO. 34704-976

the characteristics of those products and contain restrictions and limitations that may be more restrictive than the Intensity One Post-Emergence Grass Herbicide label in certain considerations.

Those concerns may include, but are not limited to:

1. Geographic restrictions - all products are not registered for use in all areas and rates may vary from one region of labeled use to another;
2. Crop rotation restrictions;
3. Applicator certification requirements;
4. Worker safety rules (e.g. protective clothing, reentry time, posting);
5. Soil type or soil characteristics (e.g. pH, OM);
6. Maximum dosage or number of applications per season;
7. Rain free period required; or
8. Application timing (e.g. pre-harvest interval).
9. Do not exceed the total season rates.

THE MOST RESTRICTIVE LABELING OF ANY PRODUCT USED IN A TANK MIX MUST BE FOLLOWED.

TANK MIX APPLICATION OF INTENSITY ONE POST-EMERGENCE GRASS HERBICIDE AND BROADLEAF HERBICIDES FOR CONTROL OF GRASSES AND BROADLEAF WEEDS

- Apply only to actively growing grass and broadleaf weeds at recommended height or growth stage listed on each label.
- Apply when the first grass or broadleaf weed species in a mixed population reaches the recommended height or growth stage for treatment.
- Apply under favorable soil moisture and humidity that exist a few days after rainfall or within seven days after irrigation.
- Apply when the first grass or broadleaf weed species in a mixed population reaches the recommended height for growth stage for treatment.
- Apply under favorable soil moisture and humidity that exist a few days after rainfall or within 7 days after irrigation.
- Always add the appropriate adjuvant to the spray mix at the rate recommended for each specific tank mix combination.
- Tank mix applications may sometimes result in reduced grass control and possible increases in crop injury as compared to either product used alone. If regrowth occurs, or an additional flush of new grass emerges, make a second application of Intensity One Post-Emergence Grass Herbicide, as specified in the respective size and rate tables.
- Do not tank mix Intensity One Post-Emergence Grass Herbicide when broadleaf weeds are tall and/or dense enough to prevent proper grass coverage.

MIXING INSTRUCTIONS

1. Fill clean spray tank 1/2 to 2/3 of desired level with clean water.
2. While agitating, add the correct amount of Intensity One Post-Emergence Grass Herbicide. Agitation should create a rippling or rolling action on the water surface.
3. If tank mixing Intensity One Post-Emergence Grass Herbicide with other labeled herbicides, add water soluble bags first, followed by dry formulations, flowables, emulsifiable concentrates and then solutions. Prepare no more spray mixture than is required for the immediate spray operation.
4. Add any required adjuvants (crop oil concentrate, non-ionic surfactant and/or nitrogen solution).
5. Fill spray tank to desired level with water. **Agitation should continue until all spray solution has been applied.**

LIBERATE should be used as the Non-Ionic Surfactant and **MSO with Leci-Tech** should be used where COC/MSO tank mix adjuvants are recommended. Use rate recommendations are listed throughout the Intensity One Post-Emergence Grass Herbicide label.

Failure to agitate the spray solution may result in improper mixing of the herbicides and unsatisfactory weed control. Mixing and compatibility qualities should be verified by a jar test.

INFORMATION ON ANTAGONISM

Tank mixes of Intensity One Post-Emergence Grass Herbicide with postemergence broadleaf herbicides have shown some reduction or failure to control certain grass species which would have otherwise been controlled when Intensity One Post-Emergence Grass Herbicide is applied alone. Activity of the postemergence broadleaf herbicide in the tank mix is not affected.

ALFALFA

Table 2. INTENSITY ONE POST-EMERGENCE GRASS HERBICIDE TANK MIXES WITH BROADLEAF HERBICIDES FOR ALFALFA (Refer to the use directions tables above for specific grasses and growth stages.)

INTENSITY ONE POST-EMERGENCE GRASS HERBICIDE®
EPA REG. NO. 34704-976

Product ¹	Application Rates/A ²		Ground Application		Spray Additives	AMS
	Annual Grasses	Perennial Grasses	Adjuvant Recommendation	AMS	Air Application Adjuvant Recommendation	
INTENSITY ONE POST-EMERGENCE GRASS HERBICIDE	12.0 to 32.0 fl oz	16.0 to 32.0 fl oz	NIS at 0.25 % v/v	2.5 lb/A	NIS at 0.25 % v/v	17.0 lb/100 gal of spray solution
+ 2,4-DB ³	+ Refer to 2,4-DB label	+ Refer to 2,4-DB label				
INTENSITY ONE POST-EMERGENCE GRASS HERBICIDE	12.0 to 32.0 fl oz		NIS at 0.25 % v/v	2.5 lb/A	NIS at 0.25 % v/v	17.0 lb/100 gal of spray solution
+ PURSUIT® DG ⁴	+ 1.08 to 2.16 oz	—				
or PURSUIT ⁴	or 3.0 to 6.0 fl oz					
INTENSITY ONE POST-EMERGENCE GRASS HERBICIDE	12.0 to 32.0 fl oz		NIS at 0.25 % v/v	2.5 lb/A	NIS at 0.25 % v/v	17.0 lb/100 gal of spray solution
+ BUCTRIL® 2L ⁵	+ 1.0 to 1.5 pt	—				
or BUCTRIL GEL ^{5, 6}	or 0.5 to 0.75 pt					
INTENSITY ONE POST-EMERGENCE GRASS HERBICIDE	12.0 to 32.0 fl oz		NIS at 0.25% v/v	2.5 lb/A	NIS at 0.25% v/v	17.0 lb/100 gal of spray solution
+ RAPTOR®	+ 4.0 to 6.0 fl oz	—				

¹ Broadleaf weed control may be reduced when grass populations are tall or dense enough to intercept the spray pattern and prevent them from receiving complete coverage. Tank mixing is not recommended in these situations.

² If grass regrowth occurs or an additional flush of new grass emerges, make a second application of Intensity One Post-Emergence Grass Herbicide alone (without a tank mix herbicide), according to the appropriate size and rate recommendations.

³ Intensity One Post-Emergence Grass Herbicide plus 2,4-DB may increase the severity of crop injury when tank mixed. Alfalfa plants will generally outgrow this temporary crop injury within a few weeks.

⁴ Before using this tank mix, read and understand the Pursuit OR Pursuit DG labels for geographical restrictions and restrictions regarding alfalfa growth stage and type. Failure to do so can result in crop injury to alfalfa. Do not feed, graze, or harvest alfalfa for 30 days following an application of Pursuit to alfalfa.

⁵ In the states of Colorado, Idaho, Montana, Nevada, Oregon, Utah, Washington, Wyoming, and the western halves of Kansas, Nebraska, North Dakota, and South Dakota: The Intensity One Post-Emergence Grass Herbicide plus Buctril or Buctril GEL tank mix must be applied in the fall or spring to seedling alfalfa when the majority of the field has a minimum of 2 trifoliates. Unacceptable crop injury may occur to alfalfa seedlings less than the 2-trifoliolate leaf stage. Intensity One Post-Emergence Grass Herbicide plus Buctril or Buctril GEL applications made when temperatures are expected to exceed 80 °F at and 3 days following application can result in unacceptable crop injury. In the states not listed above, apply in the fall or spring to seedling alfalfa when the majority of the field has a minimum of 4 trifoliolate leaves. When alfalfa stand is uneven and conditions favor leafburn, unacceptable crop injury may occur to alfalfa in the 2 trifoliolate or smaller stage of growth. Intensity One Post-Emergence Grass Herbicide plus Buctril or Buctril GEL applications made when temperatures are expected to exceed 70 °F at and 3 days following application can result in unacceptable crop injury. Crop leaf burn can occur following Intensity One Post-Emergence Grass Herbicide plus Buctril or Buctril GEL application. Warm, humid conditions may enhance leaf burn. New crop growth will not be affected.

⁶ Do not apply when alfalfa is under moisture, temperature, insect or disease stress or has been stressed by other pesticide carryover or application.

LIBERATE should be used as the Non-Ionic Surfactant and **MSO with Leci-Tech** should be used where COC/MSO tank mix adjuvants are recommended. Use rate recommendations are listed throughout the Intensity One Post-Emergence Grass Herbicide label.

USE DIRECTIONS FOR BUSHBERRY, CANEBERRY AND PEACH

Apply Intensity One Post-Emergence Grass Herbicide postemergence to actively growing grasses according to rate table recommendations. Crop injury to bushberry, caneberry and peach can occur if Intensity One Post-Emergence Grass Herbicide is improperly applied.

INTENSITY ONE POST-EMERGENCE GRASS HERBICIDE®
EPA REG. NO. 34704-976

Intensity One Post-Emergence Grass Herbicide should not be applied directly over the top of these plant types. Instead spray should be directed at the base of the plant where grassy weeds are growing near the ground.

Do not apply Intensity One Post-Emergence Grass Herbicide to bushberry, caneberry or peach grown for root stock.

Non-bearing fruit and nut crops are plants which will not bear fruit or nuts for at least 1 year following an Intensity One Post-Emergence Grass Herbicide application.

CANOLA

Table 3. REDUCED RATE INTENSITY ONE POST-EMERGENCE GRASS HERBICIDE TANK MIXES WITH BROADLEAF HERBICIDES FOR CANOLA (Refer to the use directions tables above for specific grasses and growth stages.)

Product	Application Rates/A		Adjuvant Recommendations	Ammonium Sulfate	
	Annual Grasses ¹			Ground	Air
INTENSITY ONE POST-EMERGENCE GRASS HERBICIDE ²	8.0 to 10.0 fl oz		NIS at 0.25% v/v	3.0 lb/A	3.0 lb/A
+ LIBERTY® ³	28.0 to 34.0 fl oz				
INTENSITY ONE POST-EMERGENCE GRASS HERBICIDE ²	8.0 to 10.0 fl oz		NIS at 0.25% v/v	3.0 lb/A	3.0 lb/A
+ STINGER® ⁴	0.33 pt/A				

¹ Annual grasses and sizes controlled with these tank mixtures are those that are identified in the DIRECTIONS FOR REDUCED RATE USE IN DRY BEAN, CANOLA, FLAX, MUSTARD SEED, SOYBEAN, AND SUGAR BEET RECOMMENDATIONS FOR SMALL ANNUAL GRASSES table.

² Do not apply Intensity One Post-Emergence Grass Herbicide tank mix during or after bolting or flowering or crop injury will occur.

³ For use only on LibertyLink canola.

⁴ See Stinger label for weeds controlled.

LIBERATE should be used as the Non-Ionic Surfactant and **MSO with Leci-Tech** should be used where COC/MSO tank mix adjuvants are recommended. Use rate recommendations are listed throughout the Intensity One Post-Emergence Grass Herbicide label.

COTTON

Table 4. INTENSITY ONE POST-EMERGENCE GRASS HERBICIDE TANK MIXED WITH COBRA® AND MSMA APPLIED POST DIRECTED TO COTTON

Product ¹	Application Rates/A ²		Crop Oil Concentrate ³ V/V Ground	Comments
	Annual Grasses	Perennial Grasses		
INTENSITY ONE POST-EMERGENCE GRASS HERBICIDE ⁴	12.0 to 16.0 fl oz	16.0 to 32.0 fl oz	1.0%	Reduced broadcast rate in proportion to the band area actually treated.
+ COBRA	See Cobra label for rates to control broadleaf weeds and height limitations for cotton.			
+ MSMA (4.0 lb/gal) or MSMA (6.6 lb/gal)	Refer to the Intensity One Post-Emergence Grass Herbicide label for weed height and species controlled.			
	See MSMA label for rates to control broadleaf weeds and height limitations for cotton.			
	Refer to the Intensity One Post-Emergence Grass Herbicide label for weed height and species controlled.			

¹ Broadleaf weed control may be reduced when grass populations are tall or dense enough to intercept the spray pattern and prevent them from receiving complete coverage. Tank mixing is not recommended in these situations.

² If grass regrowth occurs or an additional flush of new grass emerges, make a second application of Intensity One Post-Emergence Grass Herbicide alone (without a tank mix herbicide), according to the appropriate size and rate recommendations.

³ Always use a crop oil concentrate at the listed rate (but not less than 1.0 pint per acre) in the finished spray volume.

⁴ If, at the time of application, grass height is so tall that post-directed applications cannot get good coverage over the top of the grassy weeds, then poor control may result and a second (non-post directed) application of Intensity One Post-Emergence Grass Herbicide may be necessary.

INTENSITY ONE POST-EMERGENCE GRASS HERBICIDE®
EPA REG. NO. 34704-976

LIBERATE should be used as the Non-Ionic Surfactant and **MSO with Leci-Tech** should be used where COC/MSO tank mix adjuvants are recommended. Use rate recommendations are listed throughout the Intensity One Post-Emergence Grass Herbicide label.

Table 5. INTENSITY ONE POST-EMERGENCE GRASS HERBICIDE TANK MIXED WITH GLYPHOSATE TO CONTROL EMERGED GRASSES IN COTTON AS A BROADCAST APPLICATION

Product	Application Rate/A ¹		Adjuvant		COMMENTS
	Annual Grasses	Perennial Grasses	Glyphosate formulation with built in adjuvant	Glyphosate formulation without built in adjuvant	
INTENSITY ONE POST-EMERGENCE GRASS HERBICIDE	9.0 to 16.0 fl oz	12.0 to 32.0 fl oz	Ammonium sulfate at 8.5 to 17.0 lb/100 gal of carrier plus glyphosate label adjuvant recommendation	Ammonium sulfate at 8.5 to 17.0 lb/100 gal of carrier plus NIS at 0.25% v/v	See charts for grasses controlled. Use a minimum of 10.0 gal of spray solution/A.
+ GLYPHOSATE					

¹ If grass regrowth occurs or an additional flush of new grass emerges, make a second application of Intensity One Post-Emergence Grass Herbicide at the recommended rate with the appropriate amount of crop oil.

LIBERATE should be used as the Non-Ionic Surfactant and **MSO with Leci-Tech** should be used where COC/MSO tank mix adjuvants are recommended. Use rate recommendations are listed throughout the Intensity One Post-Emergence Grass Herbicide label.

DRY SHELLED AND SUCCULENT BEANS

Table 6. INTENSITY ONE POST-EMERGENCE GRASS HERBICIDE TANK MIXES WITH BROADLEAF HERBICIDES FOR DRY SHELLED AND SUCCULENT BEANS (Refer to the use directions tables above for specific grasses and growth stages)

Product ¹	Application Rates/A ²		Adjuvant	
	Annual Grasses	Perennial Grasses	Ground	Air
INTENSITY ONE POST-EMERGENCE GRASS HERBICIDE	9.0 to 12.0 fl oz	12.0 to 24.0 fl oz	COC at 1.0% v/v	COC at 1.0% v/v
+ BASAGRAN® ³	+ 1.0 to 2.0 pt	+ 1.0 to 2.0 pt	+ AMS at 2.5 lb/A	+ AMS at 17.0 lb/100 gal
INTENSITY ONE POST-EMERGENCE GRASS HERBICIDE	9.0 to 12.0 fl oz		NIS at 0.25% v/v	NIS at 0.25% v/v
+ RAPTOR ³	+ 4.0 fl oz	—	+ AMS at 2.5 lb/A	+ AMS at 17.0 lb/100 gal

¹ Broadleaf weed control may be reduced when grass populations are tall enough or dense enough to intercept the spray pattern and prevent them from receiving complete coverage. Tank mixing is not recommended in these situations.

² If grass regrowth occurs or an additional flush of new grass emerges, make a second application of Intensity One Post-Emergence Grass Herbicide alone (without a tank mix herbicide), according to the appropriate size and rate recommendations.

³ Always read and follow label directions for all tank mix products before using. The most restrictive labeling of any tank mix product must be followed.

LIBERATE should be used as the Non-Ionic Surfactant and **MSO with Leci-Tech** should be used where COC/MSO tank mix adjuvants are recommended. Use rate recommendations are listed throughout the Intensity One Post-Emergence Grass Herbicide label.

FLAX

Table 7. REDUCED RATE INTENSITY ONE POST-EMERGENCE GRASS HERBICIDE TANK MIXES WITH BROADLEAF HERBICIDES FOR FLAX (Refer to the use directions tables above for specific grasses and growth stages.)

INTENSITY ONE POST-EMERGENCE GRASS HERBICIDE®
EPA REG. NO. 34704-976

Product 1	Application Rates/A 2	Adjuvant	
	Annual Grasses	Ground	Air
INTENSITY ONE POST-EMERGENCE GRASS HERBICIDE	6.0 to 9.0 fl oz	AMS at 2.4 to 4.0 lb/A	AMS at 2.5 to 4.0 lb/A
+ BROMAC® ADVANCED 2,3	+ 11.4 fl oz	+ NIS at 1.25% v/v	
INTENSITY ONE POST-EMERGENCE GRASS HERBICIDE	6.0 to 9.0 fl oz	AMS at 2.4 to 4.0 lb/A	AMS at 2.5 to 4.0 lb/A
+ BRONATE® 2,3	+ 0.9 pt	+ NIS at 1.25% v/v	
INTENSITY ONE POST-EMERGENCE GRASS HERBICIDE	6.0 to 9.0 fl oz	AMS at 2.4 to 4.0 lb/A	AMS at 2.5 to 4.0 lb/A
+ BUCTRIL 2,3	+ 0.125 lb A/A	+ NIS at 1.25% v/v	
INTENSITY ONE POST-EMERGENCE GRASS HERBICIDE	8.0 to 10.0 fl oz	AMS at 2.4 to 4.0 lb/A	AMS at 2.5 to 4.0 lb/A
+ MCPA 2,3	+ 0.25 to 0.5 pt	+ NIS at 1.25% v/v	
INTENSITY ONE POST-EMERGENCE GRASS HERBICIDE	6.0 to 9.0 fl oz	AMS at 2.4 to 4.0 lb/A	AMS at 2.5 to 4.0 lb/A
+ CURTAIL® M 2,3	+ 1.33 to 1.75 pt/A	+ NIS at 1.25% v/v	

¹ Annual grasses and sizes controlled with these tank mixtures are those that are identified in the DIRECTIONS FOR REDUCED RATE USE IN DRY BEAN, CANOLA, FLAX, MUSTARD SEED, SOYBEAN, AND SUGAR BEET RECOMMENDATIONS FOR SMALL ANNUAL GRASSES table.

² Do not apply Intensity One Post-Emergence Grass Herbicide tank mix during or after the bud stage or to ornamental flax or crop injury may occur.

³ Do not apply tank mixes if temperatures are expected to exceed 85 °F at (or 3 days following) application or crop injury may occur. **LIBERATE** should be used as the Non-Ionic Surfactant and **MSO with Leci-Tech** should be used where COC/MSO tank mix adjuvants are recommended. Use rate recommendations are listed throughout the Intensity One Post-Emergence Grass Herbicide label.

PEANUT

Table 8. INTENSITY ONE POST-EMERGENCE GRASS HERBICIDE TANK MIXES WITH BROADLEAF HERBICIDES FOR PEANUT (Refer to the use directions tables above for specific grasses and growth stages.)

INTENSITY ONE POST-EMERGENCE GRASS HERBICIDE®
EPA REG. NO. 34704-976

Product 1	Application Rates/A 2	Adjuvant	
	Annual Grasses	Ground	Air
INTENSITY ONE POST-EMERGENCE GRASS HERBICIDE	9.0 to 16.0 fl oz	COC at 1.0% v/v	COC at 1.0% v/v
+ BASAGRAN	+ 1.0 to 2.0 pt	+ AMS at 2.5 lb/A	+ AMS at 17.0 lb/100 gal
INTENSITY ONE POST-EMERGENCE GRASS HERBICIDE	9.0 to 16.0 fl oz	COC at 1.0% v/v	COC at 1.0% v/v
+ BLAZER®	+ 0.5 to 1.5 pt	+ AMS at 2.5 lb/A	+ AMS at 17.0 lb/100 gal
INTENSITY ONE POST-EMERGENCE GRASS HERBICIDE	9 to 16.0 fl oz	COC at 1.0% v/v	COC at 1.0% v/v
+ STORM®	+ 1.5 pt	+ AMS at 2.5 lb/A	+ AMS at 17.0 lb/100 gal

¹ Broadleaf weed control may be reduced when grass populations are tall or dense enough to intercept the spray pattern and prevent them from receiving complete coverage. Tank mixing is not recommended in these situations.

² If grass regrowth occurs or an additional flush of new grass emerges, make a second application of Intensity One Post-Emergence Grass Herbicide alone (without a tank mix herbicide), according to the appropriate size and rate recommendations.

LIBERATE should be used as the Non-Ionic Surfactant and **MSO with Leci-Tech** should be used where COC/MSO tank mix adjuvants are recommended. Use rate recommendations are listed throughout the Intensity One Post-Emergence Grass Herbicide label.

USE DIRECTIONS FOR GRASS SUPPRESSION FOR HARVEST EFFICIENCY IN PEANUT WITH INTENSITY ONE POST-EMERGENCE GRASS HERBICIDE

Grass Species	Weed Stage	Application Rates	
		Min Rate Fl Oz/A	Max Rate Fl Oz/A
Annual and perennial grasses that exceed height claimed for control on height charts	Up to and including grasses in the seed head stage.	32.0	64.0

“RECOMMENDATIONS FOR ANNUAL GRASSES” and “RECOMMENDATIONS FOR PERENNIAL GRASSES”

- Do not apply as part of a tank mix when applying Intensity One Post-Emergence Grass Herbicide for grass suppression.
- Add a crop oil concentrate at 1.0 quart per acre by ground to the finished spray volume.

LIBERATE should be used as the Non-Ionic Surfactant and **MSO with Leci-Tech** should be used where COC/MSO tank mix adjuvants are recommended. Use rate recommendations are listed throughout the Intensity One Post-Emergence Grass Herbicide label.

SOYBEAN

Table 9. INTENSITY ONE POST-EMERGENCE GRASS HERBICIDE TANK MIX WITH BROADLEAF HERBICIDES FOR THE CONTROL OF VOLUNTEER CORN (INCLUDING ROUNDUP READY) IN SOYBEAN

INTENSITY ONE POST-EMERGENCE GRASS HERBICIDE®
EPA REG. NO. 34704-976

(Refer to use directions tables above for specific volunteer corn sizes and use rates)

Product	Weed Size and Application Rates		Spray Additives	
	Volunteer Corn Height (Inches)	Intensity One Post-Emergence Grass Herbicide Rates/A	Ground Application	Air Application
INTENSITY ONE POST-EMERGENCE GRASS HERBICIDE	Up to 12	6.0 fl oz	NIS: Adjuvant Loaded Glyphosate: None required Adjuvant Unloaded Glyphosate: NIS at 0.25 % v/v	NIS: Adjuvant Loaded Glyphosate: None required Adjuvant Unloaded Glyphosate: NIS at 0.25 % v/v
+ GLYPHOSATE 1, 2, 3	Up to 24	9.0 fl oz		
1.0 to 3.0 lb AI/A (Roundup Ready soybeans only)	Up to 36	12.0 fl oz		
INTENSITY ONE POST-EMERGENCE GRASS HERBICIDE	Up to 12	6.0 fl oz	NIS at 0.25% v/v	NIS at 0.25% v/v
	Up to 24	9.0 fl oz	AMS at 2.5 lb/A	AMS: 17.0 lb/100 gal of spray solution
	Up to 36	12.0 fl oz		
+ FIRSTRATE® 0.3 oz/A				
INTENSITY ONE POST-EMERGENCE GRASS HERBICIDE	Up to 12	6.0 fl oz	NIS at 0.25% v/v	NIS at 0.25% v/v
	Up to 24	9.0 fl oz	AMS at 2.5 lb/A	AMS: 17.0 lb/100 gal of spray solution
	Up to 36	12.0 fl oz		
+ PURSUIT 70 DG 1.44 oz/A				
INTENSITY ONE POST-EMERGENCE GRASS HERBICIDE	Up to 12	6.0 fl oz	NIS at 0.25% v/v	NIS at 0.25% v/v
	Up to 24	9.0 fl oz	AMS at 2.5 lb/A	AMS: 17.0 lb/100 gal of spray solution
	Up to 36	12.0 fl oz		
+ RAPTOR 4.0 to 5.0 fl oz/A				

- ¹ This tank mix may be applied postemergence to RoundUp Ready Soybeans up through the full flowering stage. Do not apply less than 60 days before harvest.
 - ² Avoid contact with foliage, green stems or fruit crops or any desirable plants and trees, other than soybeans with the Roundup Ready gene as severe plant injury or death will result.
 - ³ Do not allow the Intensity One Post-Emergence Grass Herbicide plus glyphosate to mist, drip, drift or splash onto desirable vegetation as minute quantities of the tank mix can cause severe damage or destruction of the crops, plants or other areas on which treatment was not intended. The likelihood of injury occurring from drift of this product is greatest when winds are gusty or in excess of 5 miles per hour. Even under lesser wind velocities, avoid conditions that allow spray drift to occur, such as combinations of spray pressure and nozzle types that will result in fine particles (mist) that are likely to drift.
- LIBERATE** should be used as the Non-Ionic Surfactant and **MSO with Leci-Tech** should be used where COC/MSO tank mix adjuvants are recommended. Use rate recommendations are listed throughout the Intensity One Post-Emergence Grass Herbicide label.

INTENSITY ONE POST-EMERGENCE GRASS HERBICIDE®
EPA REG. NO. 34704-976

Table 10. INTENSITY ONE POST-EMERGENCE GRASS HERBICIDE TANK MIXES WITH BROADLEAF HERBICIDES FOR SOYBEAN
(Refer to use direction tables above for specific grasses and growth stages.)

Product ¹	Application Rates/A ²	Spray Additive Recommendations			
		Ground Application		Air Application	
	Annual Grasses ³	COC/NIS ⁴	AMS	COC/NIS ⁴	AMS
INTENSITY ONE of POST-EMERGENCE GRASS HERBICIDE + COBRA	9.0 to 20.0 fl oz + 6.0 to 12.0 fl oz	NIS at 0.25% v/v plus COC at 0.25% v/v or COC at 1.0 to 2.0 ptA	2.5 lb/A	NIS at 0.25% v/v plus COC at 0.25% v/v or COC at 1.0% v/v (but not less than 1.0 pt/A)	17.0 lb/100 gal spray solution
INTENSITY ONE POST-EMERGENCE GRASS HERBICIDE + FIRSTRATE ⁵	9.0 to 20.0 fl oz + 0.3 oz	NIS at 0.25% v/v or COC at 1.0 pt/A	2.5 lb/A	NIS at 0.25% v/v or COC at 1% v/v (but not less than 1.0 pt/A)	17.0 lb/100 gal of spray solution
INTENSITY ONE POST-EMERGENCE GRASS HERBICIDE + FLEXSTAR® HL ⁵	9.0 to 20.0 fl oz + Refer to the FLEXSTAR HL label for specific application rates	NIS at 0.25% v/v plus COC at 0.25% v/v or COC at 1.0 to 2.0 pt/A	2.5 lb/A	NIS at 0.25% v/v plus COC at 0.25% v/v or COC at 1.0% v/v (but not less than 1.0 pt/A)	17.0 lb/100 gal of spray solution
INTENSITY ONE POST-EMERGENCE GRASS HERBICIDE + FRONTROW ⁵	9.0 to 20.0 fl oz + Refer to FRONTROW label for use rates	NIS at 0.25% v/v or COC at 1.0 pt/A	2.5 lb/A	NIS at 0.25% v/v or COC at 1.0% v/v (but not less than 1.0 pt/A)	17.0 lb/100 gal of spray solution
INTENSITY ONE POST-EMERGENCE GRASS HERBICIDE + PHOENIX™	9.0 to 20.0 fl oz + 6.0 to 12.5 fl oz	NIS at 0.25% v/v or COC at 1.0 pt/A	2.5 lb/A	NIS at 0.25% plus COC at 0.25% v/v or COC at 1% v/v (but not less than 1.0 pt/A)	17.0 lb/100 gal of spray solution
INTENSITY ONE POST-EMERGENCE GRASS HERBICIDE + PURSUIT 70 DG ⁵	12.0 to 20.0 fl oz + 1.44 oz	NIS at 0.25% v/v or COC at 1.0 pt/A	2.5 lb/A	NIS at 0.25% v/v or COC at 1.0% v/v (but not less than 1.0 pt/A)	17.0 lb/100 gal of spray solution
INTENSITY ONE POST-EMERGENCE GRASS HERBICIDE + RAPTOR (1 AS) ⁵	12.0 to 20.0 fl oz + 4.0 to 5.0 fl oz	NIS at 0.25 v/v or COC at 1.0 pt/A	2.5 lb/A	NIS at 0.25% v/v or COC at 1.0% v/v (but not less than 1.0 pt/A)	17.0 lb/100 gal of spray solution
INTENSITY ONE POST-EMERGENCE GRASS HERBICIDE + RESOURCE®	9.0 to 20.0 fl oz + 4.0 to 12.0 fl oz	NIS at 0.25% v/v plus COC at 2.5% v/v or COC at 1.0 to 2.0 pt/A	2.5 lb/A	—	—
INTENSITY ONE POST-EMERGENCE GRASS HERBICIDE + COBRA + FIRSTRATE ⁵	9.0 to 20.0 fl oz + 6.0 to 12.5 fl oz + 0.3 oz	NIS at 0.25% v/v plus COC at 0.25% v/v or COC at 1.0 to 2.0 pt/A	2.5 lb/A	NIS at 0.25% v/v plus COC at 0.25% v/v or COC at 1.0% v/v (but not less than 1.0 pt/A)	17.0 lb/100 gal of spray solution

Table 10. cont'd.:

Application Rates/A ²	Spray Additive Recommendations	
	Ground Application	Air Application

INTENSITY ONE POST-EMERGENCE GRASS HERBICIDE®
EPA REG. NO. 34704-976

Product 1	Annual Grasses 3	COC/NIS 4	AMS	COC/NIS 4	AMS
INTENSITY ONE POST-EMERGENCE GRASS HERBICIDE + COBRA + PURSUIT 70 DG 5	16.0 to 20.0 fl oz + 6.0 to 12.5 fl oz + 1.44 oz	NIS at 0.25% v/v plus COC at 0.25% v/v or COC at 1.0 to 2.0 pt/A	2.5 lb/A	NIS at 0.25% v/v plus COC at 0.25% v/v or COC at 1.0% v/v (but not less than 1.0 pt/A)	17.0 lb/100 gal of spray solution
INTENSITY ONE POST-EMERGENCE GRASS HERBICIDE + COBRA + RAPTOR (1 AS) 5	12.0 to 20.0 fl oz + 6.0 to 12.5 fl oz + 4.0 to 5.0 fl oz	NIS at 0.25% v/v plus COC at 0.25% v/v or COC at 1.0 to 2.0 pt/A	2.5 lb/A	NIS at 0.25% v/v plus COC at 0.25% v/v or COC at 1.0% v/v (but not less than 1.0 pt/A)	17.0 lb/100 gal of spray solution
INTENSITY ONE POST-EMERGENCE GRASS HERBICIDE + COBRA + RESOURCE	9.0 to 20.0 fl oz + 6.0 to 12.5 fl oz + 4.0 to 6.0 fl oz	NIS at 0.25% v/v plus COC at 0.25% v/v or COC at 1.0 to 2.0 pt/A	2.5 lb/A	—	—
INTENSITY ONE POST-EMERGENCE GRASS HERBICIDE + FIRSTRATE + FLEXSTAR HL 5	9.0 to 20.0 fl oz + 0.3 oz + Refer to the FLEXSTAR HL label for specific application rates	NIS at 0.25% v/v plus COC at 0.25% or Equivalent blended product or COC at 1.0 to 2.0 pt/A	2.5 lb/A	NIS at 0.25% v/v plus COC at 0.25% v/v or COC at 1.0% v/v (but not less than 1.0 pt/A)	17.0 lb/100 gal of spray solution
INTENSITY ONE POST-EMERGENCE GRASS HERBICIDE + HARMONY® 5 + HARMONY XP 5	9.0 to 12.0 fl oz + 0.042 to 0.083 oz + 0.042 to 0.083 oz	NIS at 0.125 to 0.25% v/v	2.5 lb/A	—	—
INTENSITY ONE POST-EMERGENCE GRASS HERBICIDE + PHOENIX + FIRSTRATE 5	9.0 to 20.0 fl oz + 6.0 to 12.5 fl oz + 0.3 oz	NIS at 0.25% v/v plus COC at 0.125 to 0.25% v/v or COC at 1.0 pt/A	2.5 lb/A	NIS at 0.25% v/v plus COC at 0.25% v/v or COC at 1.0% v/v (but not less than 1.0 pt/A)	17.0 lb/100 gal of spray solution
INTENSITY ONE POST-EMERGENCE GRASS HERBICIDE + PHOENIX + PURSUIT 70 DG 5	16.0 to 20.0 fl oz + 6.0 to 12.5 fl oz + 1.44 oz	NIS at 0.25% v/v plus COC at 0.125 to 0.25% v/v or COC at 1.0 pt/A	2.5 lb/A	NIS at 0.25% v/v plus COC at 0.25% v/v or COC at 1.0% v/v (but not less than 1.0 pt/A)	17.0 lb/100 gal of spray solution

Table 10. cont'd.:

Application Rates/A 2	Spray Additive Recommendations	
	Ground Application	Air Application

INTENSITY ONE POST-EMERGENCE GRASS HERBICIDE®
EPA REG. NO. 34704-976

Product 1	Annual Grasses 3	COC/NIS 4	AMS	COC/NIS 4	AMS
INTENSITY ONE POST-EMERGENCE GRASS HERBICIDE + PHOENIX + RAPTOR (1 AS) 5	12.0 to 20.0 fl oz + 6.0 to 12.5 fl oz + 4.0 to 5.0 fl oz	NIS at 0.25% v/v plus COC at 0.125 to 0.25% v/v or COC at 1.0 pt/A	2.5 lb/A	NIS at 0.25% v/v plus COC at 0.25% v/v or COC at 1.0% v/v (but not less than 1.0 pt/A)	17.0 lb/100 gal of spray solution
INTENSITY ONE POST-EMERGENCE GRASS HERBICIDE + PHOENIX + RESOURCE	9.0 to 20.0 fl oz + 6.0 to 12.5 fl oz + 4.0 to 6.0 fl oz	NIS at 0.25% v/v plus COC at 0.125 to 0.25% v/v or COC at 1.0 pt/A	2.5 lb/A	NIS at 0.25% v/v plus COC at 0.25% v/v or COC at 1.0% v/v (but not less than 1.0 pt/A)	17.0 lb/100 gal of spray solution
INTENSITY ONE POST-EMERGENCE GRASS HERBICIDE + RESOURCE + PURSUIT 70 DG 5	16.0 to 20.0 fl oz + 4.0 fl oz + 1.44 oz	NIS at 0.25% v/v plus COC at 0.25% v/v or COC at 1.0 to 2.0 pt/A	2.5 lb/A	—	—
INTENSITY ONE POST-EMERGENCE GRASS HERBICIDE + SYNCHRONY® STS® 5 or SYNCHRONY XP (mp) 5	12.0 to 20.0 fl oz + 0.25 oz or 0.375 oz	NIS at 0.25% v/v or COC at 1.0 pt/A	2.5 lb/A	NIS at 0.25% v/v or COC at 1.0% v/v (but not less than 1.0 pt/A)	17.0 lb/100 gal of spray solution
INTENSITY ONE POST-EMERGENCE GRASS HERBICIDE + SYNCHRONY STS 5 or SYNCHRONY XP (mp) 5 (STS Soybeans only)	12.0 to 20.0 fl oz + 0.5 oz + 0.75 oz	NIS at 0.25% v/v or COC at 1.0 pt/A	2.5 lb/A	NIS at 0.25% v/v or COC at 1.0% v/v (but not less than 1.0 pt/A)	17.0 lb/100 gal of spray solution
INTENSITY ONE POST-EMERGENCE GRASS HERBICIDE + COBRA + HARMONY or HARMONY XP 5	9.0 to 12.0 fl oz + 6.0 to 8.0 fl oz + 0.042 oz or 0.042 oz	NIS at 0.125 to 0.25% v/v plus COC at 0.125% v/v	2.5 lb/A	—	—
INTENSITY ONE POST-EMERGENCE GRASS HERBICIDE + COBRA + RESOURCE + FIRSTRATE 5	9.0 to 12.0 fl oz + 6.0 to 12.5 fl oz + 4.0 to 6.0 fl oz + 0.3 oz	NIS at 0.25% v/v plus COC at 0.25% v/v or COC at 1.0 to 2.0 pt/A	2.5 lb/A	—	—

Table 10. cont'd.:

Application Rates/A 2	Spray Additive Recommendations	
	Ground Application	Air Application

INTENSITY ONE POST-EMERGENCE GRASS HERBICIDE®
EPA REG. NO. 34704-976

Product ¹	Annual Grasses ³	COC/NIS ⁴	AMS	COC/NIS ⁴	AMS
INTENSITY ONE POST-EMERGENCE GRASS HERBICIDE + COBRA + SYNCHRONY STS ⁵ or SYNCHRONY XP (mp) ⁵	12.0 to 20.0 fl oz 6.0 to 12.0 fl oz 0.25 oz or 0.375 oz	NIS at 0.25% v/v plus COC at 0.25% v/v or COC at 1.0 to 2.0 pt/A	2.5 lb/A	NIS at 0.25% v/v plus COC at 0.25% v/v or COC at 1.0% v/v (but not less than 1.0 pt/A)	17.0 lb/100 gal of spray solution
INTENSITY ONE POST-EMERGENCE GRASS HERBICIDE + COBRA + SYNCHRONY STS ⁵ or SYNCHRONY XP (mp) ⁵ (STS Soybeans only)	12.0 to 20.0 fl oz 6.0 to 12.0 fl oz 0.5 oz or 0.75 oz	NIS at 0.25% v/v plus COC at 0.25% v/v or COC at 1.0 to 2.0 pt/A	2.5 lb/A	NIS at 0.25% v/v plus COC at 0.25% v/v or COC at 1.0% v/v (but not less than 1.0 pt/A)	17.0 lb/100 gal of spray solution
INTENSITY ONE POST-EMERGENCE GRASS HERBICIDE + PHOENIX + RESOURCE + FIRSTRATE ⁵	9.0 to 20.0 fl oz 6.0 to 12.5 fl oz 4.0 to 6.0 fl oz 0.3 oz	NIS at 0.25% v/v plus COC at 0.125 to 0.25% v/v or COC at 1.0 pt/A	2.5 lb/A	—	—
INTENSITY ONE POST-EMERGENCE GRASS HERBICIDE + PHOENIX + SYNCHRONY STS ⁵ or SYNCHRONY XP (mp) ⁵	12.0 to 20.0 fl oz 6.0 to 12.0 fl oz 0.25 oz or 0.375 oz	NIS at 0.25% v/v plus COC at 0.125 to 0.25% v/v or COC at 1.0 pt/A	2.5 lb/A	NIS at 0.25% v/v plus COC at 0.25% v/v or COC at 1.0% v/v (but not less than 1.0 pt/A)	17.0 lb/100 gal of spray solution
INTENSITY ONE POST-EMERGENCE GRASS HERBICIDE + PHOENIX + SYNCHRONY STS ⁵ or SYNCHRONY XP (mp) ⁵ (STS Soybeans only)	12.0 to 20.0 fl oz 6.0 to 12.0 fl oz 0.5 oz or 0.75 oz	NIS a 0.25% v/v plus COC at 0.125 to 0.25% v/v or COC at 1.0 pt/A	2.5 lb/A	NIS at 0.25% v/v plus COC at 0.25% v/v or COC at 1.0% v/v (but not less than 1.0 pt/A)	17.0 lb/100 gal of spray solution

- ¹ Broadleaf weed control may be reduced when grass populations are tall or dense enough to intercept the spray pattern and prevent them from receiving complete coverage. Tank mixing is not recommended in these situations.
- ² If grass regrowth occurs or an additional flush of new grass emerges, make a second application of Intensity One Post-Emergence Grass Herbicide alone (without a tank mix herbicide), according to the appropriate size and rate recommendations.
- ³ Annual grasses and sizes controlled with these tank mixtures are those that are identified in the RECOMMENDATIONS FOR ANNUAL GRASSES table.
- ⁴ Contact local Loveland Products, Inc. representative for proper adjuvant selection.

INTENSITY ONE POST-EMERGENCE GRASS HERBICIDE®
EPA REG. NO. 34704-976

⁵ Refer to FIRSTRATE, FLEXSTAR HL, FRONTROW, HARMONY, HARMONY GT, PURSUIT DG, RAPTOR, SYNCHRONY STS and SYNCHRONY XP (mp) labels for geographic and rotational restrictions.

LIBERATE should be used as the Non-Ionic Surfactant and **MSO with Leci-Tech** should be used where COC/MSO tank mix adjuvants are recommended. Use rate recommendations are listed throughout the Intensity One Post-Emergence Grass Herbicide label.

SUGAR BEET

Table 11. INTENSITY ONE POST-EMERGENCE GRASS HERBICIDE TANK MIXED WITH BROADLEAF SUGAR BEET HERBICIDES

Products	Application Rates/A	Adjuvant Information
INTENSITY ONE POST-EMERGENCE GRASS HERBICIDE	9.0 to 12.0 fl oz	
+ BETAMIX® or BETANEX® or PROGRESS® and/or STINGER and/or UPBEET®	See label for rate information	None required
	See label for rate information	None required
	See label for rate information	None required
	See label for rate information	See below
	See label for rate information	See below

NIS at 0.25% unless BETAMIX, BETANEX or PROGRESS is in the tank, then use no adjuvant.

Table 12. INTENSITY ONE POST-EMERGENCE GRASS HERBICIDE PLUS BETANEX OR BETAMIX TANK MIX FOR THREE SEQUENTIAL APPLICATIONS FOR ANNUAL GRASS CONTROL (MICRO RATE APPLICATION)

Product	Application Rates/A¹	Grasses Controlled (Inches)	Methylated Seed Oil²	
			Ground	Air
INTENSITY ONE POST-EMERGENCE GRASS HERBICIDE	3.0 to 6.0 fl oz	Green foxtail (1 to 2) Yellow foxtail (1 to 2) Barnyardgrass (1 to 2)	1.5% v/v	1.5% v/v
+ BETANEX or BETAMIX or PROGRESS or STINGER or UPBEET	+ Refer to label Refer to label Refer to label Refer to label Refer to label	Wild oat (1 to 2) Volunteer cereals (1 to 2)		

¹ Broadleaf weed control may be reduced when grass populations are tall enough or dense enough to intercept the spray pattern and prevent them from receiving complete coverage. Tank mixing is not recommended in these situations.

² Always use a methylated seed oil at the listed rate (but not less than 1.0 pint per acre) in the finished spray volume.

LIBERATE should be used as the Non-Ionic Surfactant and **MSO with Leci-Tech** should be used where COC/MSO tank mix adjuvants are recommended. Use rate recommendations are listed throughout the Intensity One Post-Emergence Grass Herbicide label.

Directions for Use for Micro-Rate Applications to Sugar Beet

Multiple micro-rate applications of Intensity One Post-Emergence Grass Herbicide in tank mixtures with reduced rates of BETANEX or BETAMIX and methylated seed oils may be applied by air or ground equipment to Sugar beet to control early germinating annual grasses listed above. All use precautions and restrictions on the BETANEX and BETAMIX master labels must be followed.

Table 13. TANK MIX APPLICATION OF INTENSITY ONE POST-EMERGENCE GRASS HERBICIDE AND FUNGICIDES FOR CONTROL OF GRASSWEEDS AND DISEASES IN SUGAR BEET

Application Rates/A²

INTENSITY ONE POST-EMERGENCE GRASS HERBICIDE®
EPA REG. NO. 34704-976

Product 1	Annual Grasses	Perennial Grasses	Adjuvant
INTENSITY ONE POST-EMERGENCE GRASS HERBICIDE	9.0 to 12.0 fl oz	12.0 to 24.0 fl oz	NIS at 0.25% v/v
+ EMINENT®	Refer to label	+ Refer to label	+
INTENSITY ONE POST-EMERGENCE GRASS HERBICIDE	9.0 to 12.0 fl oz	12.0 to 24.0 fl oz	NIS at 0.25% v/v
+ HEADLINE®	Refer to label	+ Refer to label	+
INTENSITY ONE POST-EMERGENCE GRASS HERBICIDE	9.0 to 12.0 fl oz	12.0 to 24.0 fl oz	NIS at 0.25% v/v
+ GEM®		+ Refer to label	+ Refer to label

¹ Refer to Intensity One Post-Emergence Grass Herbicide and fungicide label for rates and weeds and diseases controlled.

² If grass regrowth occurs, or an additional flush of new grass emerges, make a second application of Intensity One Post-Emergence Grass Herbicide alone (without a tank mix fungicide) according to the appropriate size and rate recommendations.

LIBERATE should be used as the Non-Ionic Surfactant and **MSO with Leci-Tech** should be used where COC/MSO tank mix adjuvants are recommended. Use rate recommendations are listed throughout the Intensity One Post-Emergence Grass Herbicide label.

Table 14. TANK MIX APPLICATION ON INTENSITY ONE POST-EMERGENCE GRASS HERBICIDE AND INSECTICIDES FOR CONTROL OF GRASS WEEDS AND INSECTS IN ALFALFA, COTTON, MINT, PEANUT (INCLUDING PERENNIAL), SOYBEAN AND SUNFLOWER

Product 1	Application Rates/A ²		Adjuvant Recommendation	Crops					
	Annual Grasses	Perennial Grasses		Alfalfa ³	Cotton ^{3,4}	Mint ^{3,4}	Peanut ^{3,4}	Soybean	Sunflower
INTENSITY ONE POST-EMERGENCE GRASS HERBICIDE	9.0 to 12.0 fl oz	12.0 to 24.0 fl oz	NIS at 0.25% v/v						
+ ORTHENE® 75 S or ORTHENE 97	+ 0.33 to 1.33 lb or 0.25 to 1.0 lb	+ 0.33 to 1.33 lb 0.25 to 1.0 lb	AMS at 2.5 lb/A						
INTENSITY ONE POST-EMERGENCE GRASS HERBICIDE	9.0 to 12.0 fl oz	12.0 to 24.0 fl oz	NIS at 0.25% v/v	X	X	X	X		
+ ORTHENE 90 S	+ 0.25 to 1.0 lb	+ 0.25 to 1.0 lb	+ AMS at 2.5 lb/A						
INTENSITY ONE POST-EMERGENCE GRASS HERBICIDE	9.0 to 12.0 fl oz	12.0 to 24.0 fl oz	NIS at 0.25% v/v	X		X			
+ DANITOL® 2.4 EC	+ 10.66 to 16.0 fl oz	+ 10.66 to 16 fl oz	+ AMS at 2.5 lb/A						
INTENSITY ONE POST-EMERGENCE GRASS HERBICIDE	9.0 to 12.0 fl oz	12.0 to 24.0 fl oz	NIS at 0.25% v/v					X	X
+ ASANA® XL	+ Refer to ASANA XL label	+ Refer to ASANA XL label	+ AMS at 2.5 lb/A						
INTENSITY ONE POST-EMERGENCE GRASS HERBICIDE	9.0 to 12.0 fl oz	12.0 to 24.0 fl oz	NIS at 0.25% v/v					X	X
+ WARRIOR®	+ Refer to WARRIOR label	+ Refer to WARRIOR label	+ AMS at 2.5 lb/A						

Table 14. cont'd.:

INTENSITY ONE POST-EMERGENCE GRASS HERBICIDE®
EPA REG. NO. 34704-976

Product ¹	Application Rates/A ²		Adjuvant Recommendation	Crops					
	Annual Grasses	Perennial Grasses		Alfalfa ³	Cotton	Mint ^{3,4}	Peanut	Soybean	Sunflower
INTENSITY ONE POST-EMERGENCE GRASS HERBICIDE	AMS at 2.5 lb/A	12.0 to 24.0 fl oz	NIS at 0.25% v/v						
+ BAYTHROID®	Refer to BAYTHROID label	Refer to BAYTHROID label	AMS at 2.5 lb/A						
INTENSITY ONE POST-EMERGENCE GRASS HERBICIDE	9.0 to 12.0 fl oz	12.0 to 24.0 fl oz	NIS at 0.25% v/v	X				X	
+ DIMETHOATE	Refer to DIMETHOATE label	Refer to DIMETHOATE label	AMS at 2.5 lb/A						
INTENSITY ONE POST-EMERGENCE GRASS HERBICIDE	9.0 to 12.0 fl oz	12.0 to 24.0 fl oz	NIS at 0.25% v/v	X					
+ WARHAWK®	Refer to WARHAWK label	Refer to WARHAWK label	AMS at 2.5 lb/A						
INTENSITY ONE POST-EMERGENCE GRASS HERBICIDE	9.0 to 12.0 fl oz	12.0 to 24.0 fl oz	NIS at 0.25% v/v	X					
+ PERMETHRIN	Refer to PERMETHRIN label	Refer to PERMETHRIN label	AMS at 2.5 lb/A						

- ¹ Refer to Intensity One Post-Emergence Grass Herbicide and insecticide label for rates and weeds and insects controlled.
- ² If grass regrowth occurs, or an additional flush of new grass emerges, make a second application of Intensity One Post-Emergence Grass Herbicide brand herbicide alone (without a tank mix insecticide) according to the appropriate size and rate recommendations.
- ³ Certain insecticides may cause temporary phytotoxic symptoms on alfalfa and mint foliage. Refer to the insecticide label for further information. It is suggested that prior to using any of these insecticide/herbicide tank mixtures, that a small area of the field be treated first and observations for crop injury be made prior to treating the whole field.
- ⁴ The Intensity One Post-Emergence Grass Herbicide rate should be 9.0 to 12.0 fluid ounces per acre for annual grass control in baby mint, minimum of 12.0 fluid ounces per acre for annual grass control in established mint and 16.0 to 32.0 fluid ounces per acre for perennial grass control.

LIBERATE should be used as the Non-Ionic Surfactant and **MSO with Leci-Tech** should be used where COC/MSO tank mix adjuvants are recommended. Use rate recommendations are listed throughout the Intensity One Post-Emergence Grass Herbicide label.

FALLOW LAND

DIRECTIONS FOR USE

Intensity One Post-Emergence Grass Herbicide may be used to control annual and perennial grasses in land that has been left fallow the previous year and other non-producing agricultural areas. Apply Intensity One Post-Emergence Grass Herbicide at 12.0 to 16.0 fluid ounces per acre for annual grasses and 16.0 to 32.0 fluid ounces per acre for perennial grasses. When both grass and broadleaf weeds are the target pest, Intensity One Post-Emergence Grass Herbicide may be tank mixed with 2,4-D Ester or BANVEL® SGF for broad spectrum control. When both annual and perennial grasses occur in the same field, use a minimum of 16.0 fluid ounces per acre Intensity One Post-Emergence Grass Herbicide rate.

USE DIRECTIONS

- Use a minimum spray volume of 5.0 GPA for aerial applications and 15.0 GPA for ground applications. Apply only to actively growing grasses when the first grass reaches the recommended weed height as specified by the Recommendations for Annual and Perennial Grasses section of this label.
- Annual grasses that emerge after the Intensity One Post-Emergence Grass Herbicide application will not be controlled, and a second application may be necessary.
- The control of perennial grasses may require more than 1 application in non-tilled areas.
- Do not plant any crop for 30 days after application unless clethodim is registered for use in that crop.
- Do not apply to grasses that have tillered, formed seedheads or exceeded recommended growth stage.
- Do not use flood jet nozzles.
- Do not apply to drought stressed grasses.
- Do not mow area for 2 weeks prior to or after the Intensity One Post-Emergence Grass Herbicide application.

Table 15. INTENSITY ONE POST-EMERGENCE GRASS HERBICIDE IN TANK MIXES TO CONTROL ANNUAL AND PERENNIAL GRASSES IN FALLOW LAND

Application Rates/A ¹	Adjuvant Recommendation
----------------------------------	-------------------------

INTENSITY ONE POST-EMERGENCE GRASS HERBICIDE®
EPA REG. NO. 34704-976

Product	Annual Grasses	Perennial Grasses	Ground	Air
INTENSITY ONE or POST-EMERGENCE GRASS HERBICIDE	12.0 to 16.0 fl oz	16.0 to 32.0 fl oz	NIS at 0.25% v/v or COC at 1.0%	NIS at 0.25% v/v COC at 1.0%
+ 2,4-D Ester or BANVEL SGF	+ 0.5 lb/A or See BANVEL SGF label for rates	+ 0.5 lb/A or See BANVEL SGF label for rates	+ AMS at 2.5 lb/A	+ AMS at 17.0 lb/100 gal

¹ Refer to Intensity One Post-Emergence Grass Herbicide label for weed height and species control. Review BANVEL SGF and 2,4-D labels for crop restrictions, use rates and weeds controlled.

LIBERATE should be used as the Non-Ionic Surfactant and **MSO with Leci-Tech** should be used where COC/MSO tank mix adjuvants are recommended. Use rate recommendations are listed throughout the Intensity One Post-Emergence Grass Herbicide label.

USE DIRECTIONS FOR GRASS SUPPRESSION IN NON-CROP AREAS WITH INTENSITY ONE POST-EMERGENCE GRASS HERBICIDE

Grass Species	Weed Stage	Application Rates	
		Min Rate Fl Oz/A	Max Rate Fl Oz/A
Annual and perennial grasses that exceed height claimed for control on height chart above.	Up to and including grasses in the seed head stage	24.0	32.0

Do not apply as part of a tank mix when applying Intensity One Post-Emergence Grass Herbicide for grass suppression. Add a crop oil concentrate at 1.0 quart per acre by ground to the finished spray volume.

LIBERATE should be used as the Non-Ionic Surfactant and **MSO with Leci-Tech** should be used where COC/MSO tank mix adjuvants are recommended. Use rate recommendations are listed throughout the Intensity One Post-Emergence Grass Herbicide label.

Table 16. INTENSITY ONE POST-EMERGENCE GRASS HERBICIDE FOR THE CONTROL AND/OR SUPPRESSION OF TALL FESCUE IN NATIVE PRAIRIE WARM-SEASON GRASS RESTORATION PROJECTS

Product	Product Rate	Grass Weeds Controlled/Suppressed		Weed Stage
		Common Name	Scientific Name	
INTENSITY ONE POST-EMERGENCE GRASS HERBICIDE	12.0 to 16.0 fl oz/A	Tall fescue	<i>Festuca arundinacea</i>	4 to 6 inches tall (40 to 60% green-up)

Adjuvant: Intensity One Post-Emergence Grass Herbicide must be applied with non-ionic surfactant at 0.25% v/v, plus a spray grade ammonium sulfate at 2.5 to 4.0 pounds per acre.

Recommended Mixing Order: Thoroughly mix spray grade ammonium sulfate in water, add Intensity One Post-Emergence Grass Herbicide, then add non-ionic surfactant.

LIBERATE should be used as the Non-Ionic Surfactant and **MSO with Leci-Tech** should be used where COC/MSO tank mix adjuvants are recommended. Use rate recommendations are listed throughout the Intensity One Post-Emergence Grass Herbicide label.

SPECIAL APPLICATION INSTRUCTIONS/PRECAUTIONS

Burn or mow fields a minimum of 3 weeks prior to application to remove excess crop residue. Apply in the spring, at 40 to 60% tall fescue green-up, prior to emergence of warm-season grasses. Do not mow area for 2 weeks after the Intensity One Post-Emergence Grass Herbicide application.

Apply in a minimum of 15.0 to 20.0 gallons of water per acre at a spray pressure of 40 to 60 PSI at the nozzle. Apply using flat fan or hollow cone nozzles. Do not use flood jet nozzles.

Apply only to fields that have warm-season grasses established for 2 years. Applications of Intensity One Post-Emergence Grass Herbicide to emerged warm-season grasses may cause injury. Do not apply to warm-season grasses grown for seed.

Do not graze treated fields or feed treated forage and or hay to livestock. Do not plant any crop for 30 days after application, unless clethodim is registered for use in that crop.

NOTE: Intensity One Post-Emergence Grass Herbicide applications are most effective if applied when average nighttime temperatures are consistently greater than or equal to 47 °F.

Table 17. INTENSITY ONE POST-EMERGENCE GRASS HERBICIDE FOR THE SUPPRESSION OF TALL FESCUE SEED-HEADS IN NON-

INTENSITY ONE POST-EMERGENCE GRASS HERBICIDE®
EPA REG. NO. 34704-976

PRODUCING AGRICULTURAL AREAS

Product	Product Rate	Suppression	Application Timing
INTENSITY ONE POST-EMERGENCE GRASS HERBICIDE	3.0 to 4.0 fl oz/A	Tall fescue seed-heads (<i>Festuca arundinacea</i>)	(50 to 90% Tall fescue green-up) or 3 weeks prior to dormancy in the fall.

ADJUVANT: Intensity One Post-Emergence Grass Herbicide must be applied with crop oil concentrate at 1.0 quart per acre, plus a spray grade ammonium sulfate at 2.5 to 4.0 pounds per acre.

Recommended Mixing Order: Thoroughly mix spray grade ammonium sulfate in water, add Intensity One Post-Emergence Grass Herbicide, then add crop oil concentrate.

Note: Use crop oil concentrate at 2.0 pints per acre with fall applications.

LIBERATE should be used as the Non-Ionic Surfactant and **MSO with Leci-Tech** should be used where COC/MSO tank mix adjuvants are recommended. Use rate recommendations are listed throughout the Intensity One Post-Emergence Grass Herbicide label.

SPECIAL APPLICATION INSTRUCTIONS/PRECAUTIONS

- Apply at 50 to 90% Tall fescue green-up.
- Use the higher Intensity One Post-Emergence Grass Herbicide rate if less Tall fescue green matter is present.
- Do not mow area for 2 weeks after the Intensity One Post-Emergence Grass Herbicide application.
- Apply in a minimum of 15.0 to 20.0 gallons of water per acre at a spray pressure of 40 to 60 psi at the nozzle. Apply using flat fan or hollow cone nozzles. Do not use flood nozzles.
- 2,4-D ester, TORDON® 22K, GRAZON® P+D OR CROSSBOW® may be added to this tank mix for broadleaf control (see 2,4-D ester label for weeds controlled).
- Do not graze treated fields or feed treated forage and or hay to livestock. Do not plant any crop for 30 days after application, unless clethodim is registered for use in that crop.

DIRECTION FOR USE IN ORNAMENTALS

For ornamental plant uses, Intensity One Post-Emergence Grass Herbicide can be used to control labeled grass weeds in greenhouses, lathhouses, shadehouses, and around outdoor ornamentals, including nurseries, parks, roadside plantings, and structure landscapes.

IMPORTANT

Intensity One Post-Emergence Grass Herbicide successfully controls weeds in newly transplanted and established non-grassy ornamentals. Plant tolerance to Intensity One at labeled rates has been found to be acceptable for the indicated genera and species listed below. Due to variability within species, crop growth stage, environmental conditions, and application techniques, it is recommended that the user determine if herbicide can be used safely on a few plants prior to widespread application. Neither the seller nor the manufacturer of Intensity One Post-Emergence Grass Herbicide have investigated the safety factor to ornamental plants not listed on the label.

The following plants have shown a tolerance for Intensity One Post-Emergence Grass Herbicide applications:

**ORNAMENTAL TREES
GROUND COVERS**

GARDEN FLOWERS AND PLANTS

COMMON NAME

ALDER, RED
ASH
BASSWOOD
BIRCH, EUROPEAN WHITE
BIRCH, RIVER
BIRCH, WHITE
CRABAPPLE, FLOWERING
DOGWOOD, FLOWERING
GOLDON CHAIN TREE
MAPLES
MULBERRY, WHITE
OAKS
OLIVE, WILD
REDBUD, EASTERN
SWEETGUM, AMERICAN

SCIENTIFIC NAME

Alnus rubra
Fraxinus spp.
Tilia spp.
Betula pendula
Betula nigra
Betula papyrifera
Malus halliana
Cornus florida
Labumum anagyroides
Acer spp.
Morus alba
Quercus spp.
Elaeagnus angustifolia
Cercis canadensis
Liquidambar styraciflua

INTENSITY ONE POST-EMERGENCE GRASS HERBICIDE®
EPA REG. NO. 34704-976

*Slight foliage or flower speckling has been observed on these species.

COMMON NAME

BUGLEWEED, CARPET
IVY, ENGLISH
JAPANESE SPURGE
LILYTURF
MONEYWORT
MONDO GRASS, WHITE
MONDO GRASS, DWARF
PERIWINKLE, LESSER

SCIENTIFIC NAME

Ajuga reptans
Hedera helix
Pachysandra terminalis
Liriope muscari
Lysimachia nummularia
Ophiopogon jaburan
Ophiopogon japonicus
Vinca minor

SHRUBS

* Slight foliage or flower speckling has been observed on these species.

COMMON NAME

AGERATUM
ALYSSUM*, SWEET
ASPARAGUS FERN
BLEEDING HEART
CAST IRON PLANT
CHRYSANTHEMUM
CINQUEFOIL
COLEUS
CORALBELLS
CRANESBILL
DAHLIA
DAISY, TRAILING AFRICAN
DAYLILY
DUSTY MILLER
EUONYMUS
GAZANIA
GERANIUM, HOUSE
HEATHER, FALSE
HOSTA
IRIS
JASMINE TOBACCO
LOOSESTRIFE
MARIGOLD
PARTRIDGEBERRY
PETUNIA*
PHLOX
PINKS
PORTULACA
SALVIA
SAXIFRAGE
SEDUM
SELLOUM
SNAPDRAGON*
SWEET FLAG
TICKSEED
TOUCH-ME-NOT
VERBENA
VIOLET
YARROW, COMMON
ZINNIA

SCIENTIFIC NAME

Ageratum spp.
Lobularia maritima
Asparagus setaceus
Dicentra spectabilis
Aspidistra elatior
Chrysanthemum spp.
Potentilla spp.
Coleus spp.
Heuchera sanguinea
Geranium spp.
Dahlia spp.
Osteospermum fruticosum
Hemerocallis spp.
Senecio cineraria
Euonymus spp.
Gazania spp.
Pelargonium hortorum
Cuphea hyssopifolia
Hosta fortunei
Iris spp.
Nicotiana glauca
Lythrum salicaria
Tagetes spp.
Mitchella repens
Petunia hybrida
Phlox spp.
Dianthus spp.
Portulaca grandiflora
Salvia spp.
Saxifraga spp.
Sedum spp.
Philodendron selloum
Antirrhinum majus
Lacorus gramineus
Coreopsis grandiflora
Impatiens spp.
Verbena spp.
Viola spp.
Achillea millefolium
Zinnia elegans

INTENSITY ONE POST-EMERGENCE GRASS HERBICIDE®
EPA REG. NO. 34704-976

USE DIRECTIONS FOR ANNUAL GRASSES IN ORNAMENTALS

COMMON NAME

ABELIA
ANISE, PURPLE
AUCUBA
AZALEA*
BAMBOO
BARBERRY, JAPANESE
BARBERRY, MAGELLAN
BAYBERRY
BOTTLEBRUSH _____
BOXWOOD, COMMON
CAMELLIA, COMMON
CANDYTUFT
CLEYERA
CORALBERRY
CRAPE MYRTLE
COYOTE BRUSH
FIG, CREEPING
GARDENIA
HOLLY
HONEYSUCKLE
INDIAN HAWTHORN
JASMINE
JASMINE, ASIATIC _____
JASMINE, STAR
JUNIPER
LANTANA
NANDINA* BAMBOO, HEAVENLY
OLEANDER, COMMON
OREGON GRAPE
PHOTINIA
PITTIOSPORUM
PODOCARPUS
PRIVET
PYRACANTHA
RHODODENDRON
ROSE
SPIREA
SWEET OLIVE
VIBURNUM
WISTERIA
YELLOW SAGE/SHRUB VERBENA

SCIENTIFIC NAME

Abelia spp.
Illicium floridanum
Aucuba spp.
Rhododendron spp.
Bambusa spp.
Berberis thunbergii
Berberis buxifolia
Myrica pensylvanica
Callistemon citrinus
Buxus sempervirens
Camellia japonica
Iberis sempervirens
Cleyera japonica
Ardisia crenata
Lagerstroemia indica
Baccharis pilularis
Ficus pumila
Gardenia spp.
Ilex spp.
Lonicera spp.
Raphiolepis indica
Jasminum spp.
Trachelospermum asiaticum
Trachelospermum jasminoides
Juniperus spp.
Lantana spp.
Nandinia domestica
Nerium oleander
Mahonia aquifolium
Photinia spp.
Pittosporum spp.
Podocarpus spp.
Ligustrum spp.
Pyracantha spp.
Rhododendron spp.
Rosa spp.
Spiraea bumalda
Osmanthus fragrans
Viburnum tinus
Wisteria spp.
Lantana camara

INTENSITY ONE POST-EMERGENCE GRASS HERBICIDE®
EPA REG. NO. 34704-976

- Apply only to actively growing grasses at recommended weed heights.
- Apply when the first grass weed species in a mixed grass weed population reaches the recommended growth stage for treatment.
- Use the high rate under heavy grass pressure and/or when grasses are at maximum height.

Grass Species	Scientific Name	Weed* Height (Inches)	Rate FI Oz/A¹	High Rate FI Oz/A²
Barnyardgrass	<i>Echinochloa crus-galli</i>	2 to 8	12.0	32.0
Broadleaf signalgrass	<i>Brachiaria platyphylla</i>	2 to 6	12.0	32.0
Brome				
California	<i>Bromus carinatus</i>	2 to 6	12.0	32.0
Cheat	<i>Bromus secalinus</i>	2 to 6	12.0	32.0
Downy	<i>Bromus tectorum</i>	2 to 6	12.0	32.0
Ripgut	<i>Bromus diandrus</i>	2 to 6	12.0	32.0
Canarygrass	<i>Phalaris canariensis</i>	1 to 4	12.0	32.0
Crabgrass	<i>Digitaria adscendens</i>	2 to 6**	12.0	32.0
Hairy (Large)	<i>Digitaria sanguinalis</i>	2 to 6**	12.0	32.0
Smooth	<i>Digitaria ischaemum</i>	2 to 6**	12.0	32.0
Southern	<i>Digitaria ciliaris</i>	2 to 6**	12.0	32.0
Crowfootgrass	<i>Dactyloctenium aegyptium</i>	2 to 6**	12.0	32.0
Fall panicum	<i>Panicum dichotomiflorum</i>	2 to 8	12.0	32.0
Field sandbur	<i>Cenchrus incertus</i>	2 to 6	12.0	32.0
Foxtail				
Giant	<i>Setaria faberi</i>	2 to 12	12.0	32.0
Green	<i>Setaria viridis</i>	2 to 8	12.0	32.0
Yellow	<i>Setaria glauca</i>	2 to 8	12.0	32.0
Goosegrass	<i>Eleusine indica</i>	2 to 6**	12.0	32.0
Itchgrass	<i>Rottboellia cochin</i>	2 to 6	12.0	32.0
Junglerice	<i>Echinochloa colona</i>	2 to 6	12.0	32.0
Lovegrass (Stinkgrass)	<i>Eragrostis cilianensis</i>	2 to 6	12.0	32.0
Rabbitsfootgrass	<i>Polypogon monspeliensis</i>	1 to 4	12.0	32.0
Red rice	<i>Oryza sativa</i>	1 to 3	12.0	32.0
Rygrass				
Hardy	<i>Lolium remotum</i>	2 to 6	12.0	32.0
Italian	<i>Lolium multiflorum</i>	2 to 6	12.0	32.0
Seedling Johnsongrass	<i>Sorghum halepense</i>	4 to 10	12.0	32.0
Shattercane	<i>Sorghum bicolor</i>	6 to 18	12.0	32.0
Southwestern cupgrass	<i>Eriochloa gracilis</i>	2 to 6	12.0	32.0
Sprangletop				
Amazon	<i>Leptochloa panicoides</i>	2 to 6	12.0	32.0
Bearded	<i>Leptochloa fascicularis</i>	2 to 6	12.0	32.0
Mexican	<i>Leptochloa uninervia</i>	2 to 6	12.0	32.0
Red	<i>Leptochloa filiformis</i>	2 to 6	12.0	32.0
Texas panicum	<i>Panicum texanum</i>	2 to 6	12.0	32.0
Volunteer cereals				
Barley	<i>Hordeum vulgare</i>	2 to 6	12.0	32.0
Oats	<i>Avena sativa</i>	2 to 6	12.0	32.0
Rye	<i>Secale cereale</i>	2 to 6	12.0	32.0
Wheat	<i>Triticum aestivum</i>	2 to 6	12.0	32.0
Volunteer corn	<i>Zea mays</i>	4 to 12	12.0	32.0
Volunteer corn	<i>Zea mays</i>	12 to 24	12.0	32.0
Volunteer grain				
Sorghum	<i>Sorghum bicolor</i>	8 to 12	12.0	32.0
Wild oats	<i>Avena fatua</i>	2 to 6	12.0	32.0
Wild proso millet	<i>Panicum miliaceum</i>	2 to 10	12.0	32.0
Witchgrass	<i>Panicum capillare</i>	2 to 8	12.0	32.0
Woolly cupgrass	<i>Eriochloa villosa</i>	2 to 8	12.0	32.0

* Generally occurs between 3-leaf stage and tillering.

** Length of lateral growth.

¹ 16.0 fluid ounces per acre = approximately 0.4 fluid ounce per 1000 square feet

² 32.0 fluid ounces per acre = approximately 0.8 fluid ounce per 1000 square feet

Add non-ionic surfactant containing at least 80% active ingredient at the rate of 1.0 pint per 50.0 gallons (0.25% v/v).

INTENSITY ONE POST-EMERGENCE GRASS HERBICIDE®
EPA REG. NO. 34704-976

LIBERATE should be used as the Non-Ionic Surfactant and **MSO with Leci-Tech** should be used where COC/MSO tank mix adjuvants are recommended. Use rate recommendations are listed throughout the Intensity One Post-Emergence Grass Herbicide label.

USE DIRECTIONS FOR ANNUAL BLUEGRASS CONTROL WITH INTENSITY ONE POST-EMERGENCE GRASS HERBICIDE IN ORNAMENTALS

Grass Species	Weed Stage	Application Rates	
		Min Rate Fl Oz/A	Max Rate Fl Oz/A
Annual Bluegrass (<i>Poa annua</i>)	to 4-leaf	12.0	32.0

- Apply under favorable soil moisture and humidity that exists within a few days after rainfall or within 7 days after irrigation. Grass needs to be actively growing at time of application(s).
- Apply at weed stage indicated on the label, as reduced control can be expected with more mature annual bluegrass.
- Use the high rate under heavy grass pressure and/or when annual bluegrass is more mature.
- Add non-ionic surfactant containing at least 80% active ingredient at the rate of 1.0 pint per 50.0 gallons (0.25% v/v).

LIBERATE should be used as the Non-Ionic Surfactant and **MSO with Leci-Tech** should be used where COC/MSO tank mix adjuvants are recommended. Use rate recommendations are listed throughout the Intensity One Post-Emergence Grass Herbicide label.

USE DIRECTIONS FOR PERENNIAL GRASSES IN ORNAMENTALS

- Apply only to actively growing grasses at recommended weed heights.
- Apply when the first grass weed species in a mixed grass weed population reaches the recommended growth stage for treatment.
- Use the high rate under heavy grass pressure and/or when grasses are at maximum height.

Grass Species	Weed Height (Inches)	Rate- Fl Oz/A ¹	High Rate - Fl Oz/A ²
Bermudagrass (<i>Cynodon dactylon</i>)			
First Application	3 (or up to 6" runners)	12.0	32.0
Repeat Application(s) (if regrowth occurs)	3 (or up to 6" runners)	12.0	32.0
Foxtail barley (<i>Hordeum jubatum</i>)			
First Application	2 to 6	12.0	32.0
Repeat Application(s) (if regrowth occurs)	2 to 6	12.0	32.0
Quackgrass (<i>Elytigia repens</i>)			
First Application	4 to 8	12.0	32.0
Repeat Application(s) (if regrowth occurs)	4 to 8	12.0	32.0
Rhizome Johnsongrass (<i>Sorghum halepense</i>)			
First Application	12 to 24	12.0	32.0
Repeat Application(s) (if regrowth occurs)	6 to 18	9.0	16.0
Wirestem muhly (<i>Muhlenbergia frondosa</i>)			
First Application	4 to 8	12.0	32.0
Repeat Application(s) (if regrowth occurs)	4 to 8	12.0	32.0

¹ 16.0 fluid ounces per acre = approximately 0.4 fluid ounce per 1000 square feet

² 32.0 fluid ounces per acre = approximately 0.8 fluid ounce per 1000 square feet

Add non-ionic surfactant containing at least 80% active ingredient at the rate of 1.0 pint per 50.0 gallons (0.25% v/v).

LIBERATE should be used as the Non-Ionic Surfactant and **MSO with Leci-Tech** should be used where COC/MSO tank mix adjuvants are recommended. Use rate recommendations are listed throughout the Intensity One Post-Emergence Grass Herbicide label.

IMPORTANT

Plant tolerance to Intensity One Post-Emergence Grass Herbicide at labeled rates has been found to be acceptable for the indicated genera

INTENSITY ONE POST-EMERGENCE GRASS HERBICIDE®
EPA REG. NO. 34704-976

and species listed below. Due to variability within species, crop growth stage, environmental conditions, and application techniques, it is recommended that the user determine if the herbicide can be used safely on a few plants prior to widespread application. Neither the seller nor the manufacturer of this Intensity One Post-Emergence Grass Herbicide have investigated the safety factor to plants not listed on the label.

NON-BEARING FOOD CROPS

INTENSITY ONE POST-EMERGENCE GRASS HERBICIDE SHOULD NOT BE APPLIED TO NON-BEARING FRUIT OR NUT CROPS WHICH ARE GROWN FOR ROOT STOCK.

Crop injury to non-bearing fruit and nut crops can occur if Intensity One Post-Emergence Grass Herbicide is improperly applied. INTENSITY ONE should not be applied directly over the top of these plant types. Instead spray should be directed at the base of the plant where grassy weeds are growing near the ground.

Non-bearing fruit and nut crops are plants which will not bear fruit or nuts for at least one year following Intensity One Post-Emergence Grass Herbicide application.

CONIFER TREES

Intensity One Post-Emergence Grass Herbicide can be used to control labeled grasses in Christmas tree farms, conifer nurseries, and conifer plantations (but not in forests).

COMMON NAME

Apples
Berries

Cherry, Sweet
Citrus Fruits
Grapes
Olives
Peach
Pears
Prunes
Stone Fruits
Strawberries
Tree Nuts
Almond
Filbert
Pecan
Pistachio
Walnut

SCIENTIFIC NAME

Malus spp.
Vaccinium spp.
Rubus spp.
Prunus avium
Citrus spp.
Vitis spp.
Olea spp.
Prunus persica
Pyrus communis
Prunus spp.
Prunus spp.
Fragaria spp.

Prunus triloba
Corylus maxima
Carya illinoensis
Pistacia vera
Juglans spp.

NON-CROP OR NON-PLANTED AREAS

The following areas are considered non-crop or non-planted areas:

Rights-of-way including railroads, highways, roads, dividers, medians, pipelines, public utility lines, pumping stations, transformer stations and substations. Around airports, electric utilities, commercial buildings, manufacturing plants, storage yards, rail yards, fence lines, parkways, and post-harvest croplands. Also beneath greenhouse benches and around golf courses.

COMMON NAME

Arborvitae, American
Cedars
Cypress
Fir, Douglas
Firs
Hemlock, Canadian/Eastern
Hemlock, Western
Pines
Spruces
Yew

SCIENTIFIC NAME

Thuja occidentalis
Cedrus spp.
Taxodium spp.
Pseudotsuga menziesii
Abies spp.
Tsuga canadensis
Tsuga heterophylla
Pinus spp.
Picea spp.
Taxus spp.

INTENSITY ONE POST-EMERGENCE GRASS HERBICIDE®
EPA REG. NO. 34704-976

STORAGE AND DISPOSAL

PROHIBITIONS

Do not contaminate water, food or feed by storage, disposal or cleaning of equipment. Open dumping is prohibited.

PESTICIDE STORAGE: Keep pesticide in original container. Do not put concentrate or dilute into food or drink containers. Store in cool, dry place. Do not store diluted spray.

PESTICIDE DISPOSAL: Wastes resulting from the use of this product may be disposed of on site or at an approved waste disposal facility.

CONTAINER HANDLING: Nonrefillable container. Do not reuse this container to hold materials other than pesticides or dilute pesticides (rinsate). After emptying and cleaning, it may be allowable to temporarily hold rinsate or other pesticide-related materials in the container. Contact your state regulatory agency to determine allowable practices in your state. Once cleaned, some agricultural plastic pesticide containers can be taken to a container collection site or picked up for recycling. To find the nearest site, contact your chemical dealer or manufacturer, or contact The Agricultural Container Recycling Council (ACRC) at www.acrecycle.org.

Triple rinse or pressure rinse container (or equivalent) promptly after emptying.

For packages up to 5 gallons: Triple rinse as follows: Empty the remaining contents into application equipment or a mix tank and drain for 10 seconds after the flow begins to drip. Fill the container 1/4 full with water and recap. Shake for 10 seconds. Pour rinsate into application equipment or a mix tank or store rinsate for later use or disposal. Drain for 10 seconds after the flow begins to drip. Repeat this procedure two more times. **Pressure rinse as follows:** Empty the remaining contents into application equipment or a mix tank and continue to drain for 10 seconds after the flow begins to drip. Hold container upside down over application equipment or mix tank or collect rinsate for later use or disposal. Insert pressure rinsing nozzle in the side of the container, and rinse at about 40 PSI for at least 30 seconds. Drain for 10 seconds after the flow begins to drip.

For packages greater than 5 gallons and less than 56 gallons: Triple rinse as follows: Empty the remaining contents into application equipment or a mix tank. Fill the container 1/4 full with water. Replace and tighten closures. Tip container on its side and roll it back and forth, ensuring at least one complete revolution, for 30 seconds. Stand the container on its end and tip it back and forth several times. Empty the rinsate into application equipment or a mix tank or store rinsate for later use or disposal. Repeat this procedure two more times. **Pressure rinse as follows:** Empty the remaining contents into application equipment or a mix tank and continue to drain for 10 seconds after the flow begins to drip. Hold container upside down over application equipment or mix tank or collect rinsate for later use or disposal. Insert pressure rinsing nozzle in the side of the container, and rinse at about 40 PSI for at least 30 seconds. Drain for 10 seconds after the flow begins to drip.

For refillable containers: Refill this container with pesticide only. Do not reuse this container for any other purpose. Cleaning the container before final disposal is the responsibility of the person disposing of the container. Cleaning before refilling is the responsibility of the refiller. To clean the container before final disposal, empty the remaining contents from this container into application equipment or mix tank. Fill the container about 10 percent full with water. Agitate vigorously or recirculate water with the pump for 2 minutes. Pour or pump rinsate into application equipment or rinsate collection system. Repeat this rinsing procedure two more times.

For help with any spill, leak, fire or exposure involving this material, call day or night CHEMTREC - 1-800-424-9300.

CONDITIONS OF SALE AND LIMITATION OF WARRANTY AND LIABILITY

BEFORE BUYING OR USING THIS PRODUCT, read the entire Directions for Use and the following Conditions of Sale and Limitation of Warranty and Liability. By buying or using this product, the buyer or user accepts the following Conditions of Sale and Limitation of Warranty and Liability, which no employee or agent of LOVELAND PRODUCTS, INC. or the seller is authorized to vary in any way.

Follow the Directions for Use of this product carefully. It is impossible to eliminate all risks inherently associated with the use of this product. Crop or other plant injury, ineffectiveness, or other unintended consequences may result from such risks as weather or crop conditions, mixture with other chemicals not specifically identified in this product's label, or use of this product contrary to the label instructions, all of which are beyond the control of LOVELAND PRODUCTS, INC. and the seller. The buyer or user of this product assumes all such inherent risks.

Subject to the foregoing inherent risks, LOVELAND PRODUCTS, INC. warrants that this product conforms to the chemical description on the label and is reasonably fit for the purposes stated in the Directions for Use when the product is used in strict accordance with such Directions for Use under normal conditions of use. EXCEPT AS WARRANTED IN THIS LABEL AND TO THE EXTENT CONSISTENT WITH APPLICABLE LAW, THIS PRODUCT IS SOLD "AS IS," AND LOVELAND PRODUCTS, INC. MAKES NO OTHER WARRANTY, EXPRESS OR IMPLIED, INCLUDING BUT NOT LIMITED TO MERCHANTABILITY, FITNESS FOR A PARTICULAR PURPOSE, OR ELIGIBILITY OF THIS PRODUCT FOR ANY PARTICULAR TRADE USAGE.

IN THE UNLIKELY EVENT THAT BUYER OR USER BELIEVES THAT LOVELAND PRODUCTS, INC. HAS BREACHED A WARRANTY CONTAINED IN THIS LABEL AND TO THE EXTENT REQUIRED BY APPLICABLE LAW, BUYER OR USER MUST SEND WRITTEN NOTICE OF ITS CLAIM TO THE FOLLOWING ADDRESS: LOVELAND PRODUCTS, INC., ATTENTION: LAW DEPARTMENT, P.O. BOX 1286, GREELEY, CO 80632-1286.

TO THE EXTENT CONSISTENT WITH APPLICABLE LAW, THE BUYER'S OR USER'S EXCLUSIVE REMEDY FOR ANY INJURY, LOSS, OR DAMAGE RESULTING FROM THE HANDLING OR USE OF THIS PRODUCT, INCLUDING BUT NOT LIMITED TO CLAIMS OF BREACH OF

INTENSITY ONE POST-EMERGENCE GRASS HERBICIDE®
EPA REG. NO. 34704-976

WARRANTY OR CONTRACT, NEGLIGENCE, STRICT LIABILITY, OR OTHER TORTS, SHALL BE LIMITED TO ONE OF THE FOLLOWING, AT THE ELECTION OF LOVELAND PRODUCTS, INC. OR THE SELLER: DIRECT DAMAGES NOT EXCEEDING THE PURCHASE PRICE OF THE PRODUCT OR REPLACEMENT OF THE PRODUCT. TO THE EXTENT CONSISTENT WITH APPLICABLE LAW, LOVELAND PRODUCTS, INC. AND THE SELLER SHALL NOT BE LIABLE TO THE BUYER OR USER OF THIS PRODUCT FOR ANY CONSEQUENTIAL, SPECIAL, OR INDIRECT DAMAGES, OR DAMAGES IN THE NATURE OF A PENALTY.

Asana, Harmony, Synchrony STS and Upbeet are registered trademarks of E.I duPont de Nemours & Company.
Banvel, Basagran, Headline, Pursuit and Raptor are registered trademarks of BASF.
Baythroid, Betamix, Betanex, Buctril, Bronate, Gem, Liberty, LibertyLink and Progress are registered trademarks of Bayer.
Blazer and Storm are registered trademarks of United Phosphorous Inc.
Bromac, Intensity Post-Emergence Grass Herbicide, Leci-Tech, Liberate, MSO and Warhawk are registered trademarks of Loveland Products, Inc.
Cobra and Resource are registered trademarks and Phoenix is a trademark of Valent U.S.A. Corporation.
Crossbow, Curtail, FirstRate, Grazon, Stinger, and Tordon are registered trademarks of Dow AgroSciences LLC.
Danitol is a registered trademark of Sumitomo Chemical Co., Ltd.
Eminent is a registered trademark of ISAGRO S.p.A.
Flexstar and Warrior are registered trademarks of a Syngenta Group Company.
Orthere is a registered trademark of OMS Investments, Inc.
Roundup Ready is a registered trademark of Monsanto Technology LLC.

THE LOVELAND RETURNABLE KEG

Description: This keg is a closed-system, refillable container designed for easy handling and convenient dispensing of product with no container disposal.

Construction: The keg is made of all stainless steel. Both the gaskets and seals are Viton and are compatible with the Loveland product.

Pump System: With the versatility of the keg, either a mechanical pump or an air pressure system may be used to dispense the product.

Coupler: A specific dry-disconnect coupler is required for dispensing product from the keg. This coupler is available through local agricultural equipment suppliers.

Container Capacity: 15.0 gallons or 56.7 liters (by weight)

ATTENTION!

This is a closed-system container. Do not try to remove the valve from the keg. The coupler required for removal of product is available from local agricultural equipment suppliers. The keg contains tamper evident seals that, if broken, will incur a fee for the user of the keg. Both the coupler and the valve are designed for one-way operation only. Never try to pump any type of material back into the keg.

DIRECTIONS FOR USE

The proper coupler must be attached and engaged before removing any product from the keg. Either a mechanical pump or an air pressure system may be used and connected to the 1-inch NPT thread on the top of the coupler.

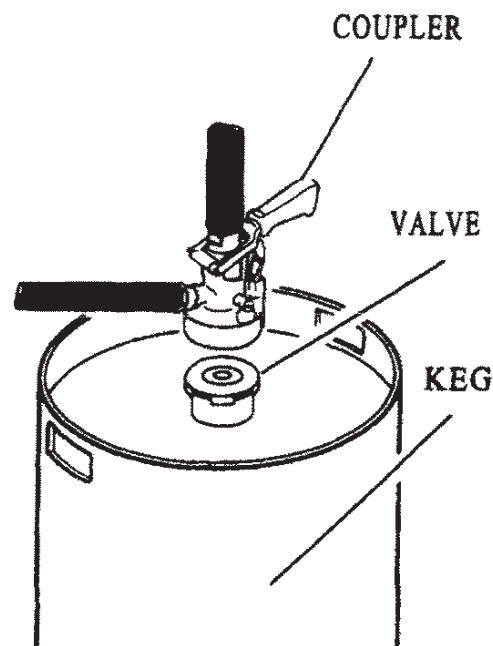
IMPORTANT! Attach a hose or pump to the coupler before engaging coupler. This will prevent the user from being splashed in the event that pressure build-up in the keg forces liquid up through the coupler.

To attach and engage the coupler:

1. Pull top of black dust cover back to expose head of valve. The bottom ring of the black dust cover will still be attached to the neck of the valve. Save the dust cover for reuse when returning keg.
2. Before engaging the coupler, securely attach a hose or pump to the threaded connection.
3. Twist coupler onto valve on keg and engage coupler by pulling handle straight out to unlock and then pushing handle down into lower position to open interval valve. Handle will automatically lock in place.
4. Secure and engage coupler by pulling handle straight out to unlock and then pushing handle down into lower position to open internal valve. Handle will automatically lock in place.
5. You are now ready to begin the pumping operation.

To remove coupler from container:

1. Release coupler by pulling handle straight out to unlock and then lifting handle into upper position. Handle will automatically lock in place.
2. Lift coupler from keg. As coupler clears top of valve, pull coupler sideways and lift it off the valve.
3. Wipe valve off and replace dust cover.



INTENSITY ONE POST-EMERGENCE GRASS HERBICIDE®
EPA REG. NO. 34704-976

4. Flush coupler with water.
5. Wipe coupler and store in a clean place.
6. Properly dispose of cleaning towels and rinsate.

RETURNABLE KEGS

Clean the outside of the keg with water or soap before returning the keg to the distributor. Leave all Loveland product labels and stickers securely attached. All Loveland Product labels, stickers and other information must remain on the keg in order to comply with both State and Federal regulation.

All Loveland kegs are tracked using the individual keg serial number stamped in the top of the keg. Distributors are responsible for these kegs that have been assigned to them. Return this keg to the distributor from which it was purchased. Notify the distributor if the keg cannot be returned by the specific time.

SPECIMEN

FORMULATED FOR
LOVELAND PRODUCTS, INC.
P.O. BOX 1286, GREELEY, COLORADO 80632-1286